

Table of Contents

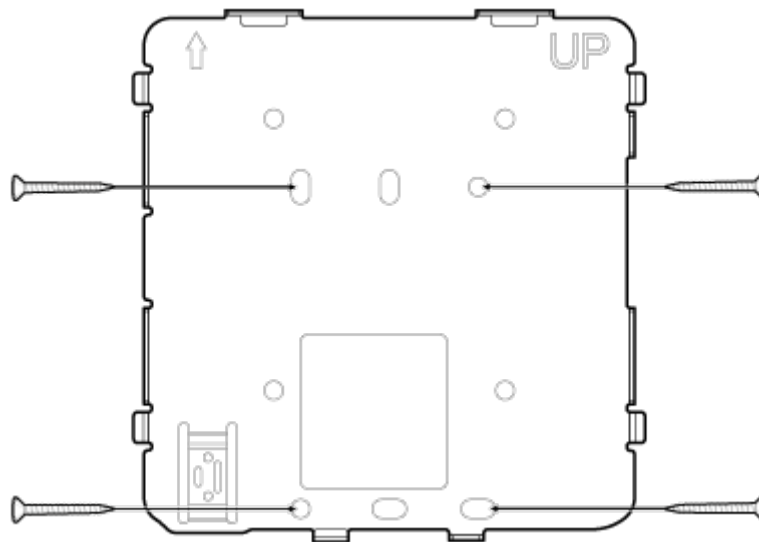
How to Install BioStation 2a	1
Installation	1
Fixing the bracket and the product	1

How to Install BioStation 2a

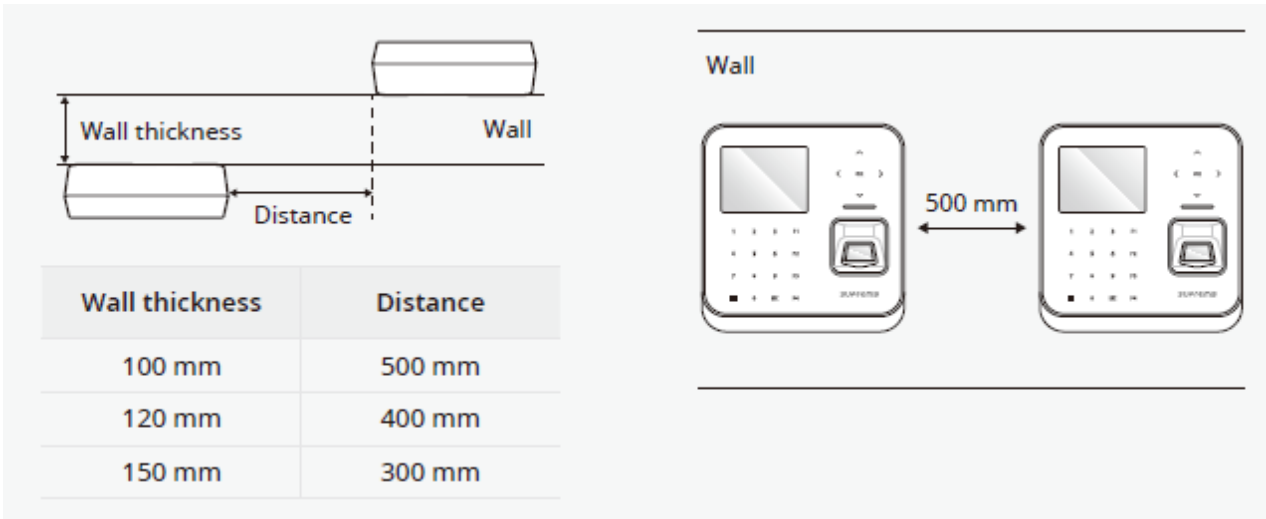
Installation

Fixing the bracket and the product

1. Determine the correct position to install the bracket using the provided drilling template. Fix the bracket firmly using fixing screws through the bracket to the position where BioStation 2a will be installed.

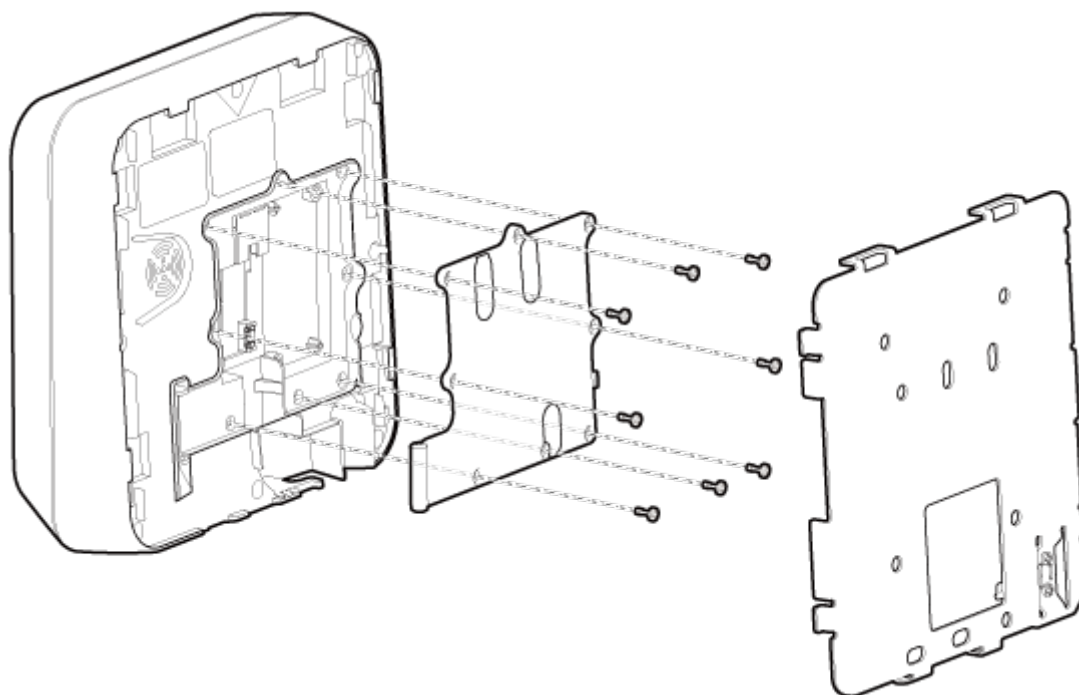


- If installing BioStation 2a on a concrete wall, drill holes, insert PVC anchors, and fix them with fixing screws.
- To avoid RF interference, a minimum separation distance must be maintained.



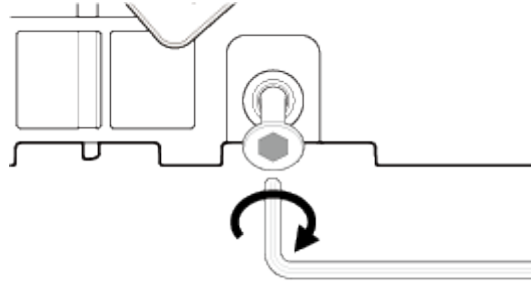
- When using a mobile access card, install devices maintaining a minimum distance of 1 m between devices to avoid RF interference.

2. Assemble the cable cover with the BioStation 2a and then attach the device onto the mounted bracket.



Make sure that the cable cover is completely closed after connecting it to the product to maintain the water-resistant and dust-resistant features (IP65 rating).

3. Assemble BioStation 2a with the bracket by rotating the product fixing screw.



When assembling the product with the bracket, you can use the included bracket fixing screw(Star Shaped) instead of the product fixing screw for enhanced security.

From:

<https://kb.supremainc.com/knowledge/> -

Permanent link:

https://kb.supremainc.com/knowledge/doku.php?id=en:how_to_install_biostation_2a

Last update: **2023/11/01 17:21**