

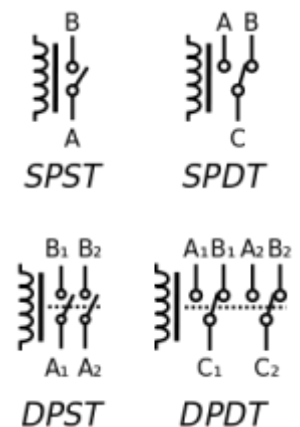
Table of Contents

Relay	1
Type	1
Technical Information	1
See Also	2

Relay

A control device that auto-executes the opening and closing of the electric circuit according to changes in the current, voltage, frequency, etc. of another electric circuit.

Type



- **SPST** - Single Pole Single Throw. These have two terminals which can be connected or disconnected. Including two for the coil, such a relay has four terminals in total. It is ambiguous whether the pole is normally open or normally closed. The terminology "SPNO" and "SPNC" is sometimes used to resolve the ambiguity.
- **SPDT** - Single Pole Double Throw. A common terminal connects to either of two others. Including two for the coil, such a relay has five terminals in total.
- **DPST** - Double Pole Single Throw. These have two pairs of terminals. Equivalent to two SPST switches or relays actuated by a single coil. Including two for the coil, such a relay has six terminals in total. The poles may be Form A or Form B (or one of each).
- **DPDT** - Double Pole Double Throw. These have two rows of change-over terminals. Equivalent to two SPDT switches or relays actuated by a single coil. Such a relay has eight terminals, including the coil.

Technical Information

- [Proper Use of Relays](#)

See Also

- [NC](#)
- [NO](#)

From:

<http://kb.supremainc.com/knowledge/> -

Permanent link:

<http://kb.supremainc.com/knowledge/doku.php?id=en:relay>

Last update: **2015/10/20 16:51**