

Table of Contents

- Elevator Configuration 1
- Multi-output module, OM-120 1
- Features 1
- Elevator connection configuration 2
- Physical Configuration and Settings 2
- Controlling 4 elevators in a 36 floor building 3
- Floor Privilege Setting 4

OM-120

Elevator Configuration

BioStar 2.4.0 has an added feature to authorize and control an integrated elevator to stop at different floors. This document will explain the physical integration method and components required for elevator configuration.

Multi-output module, OM-120



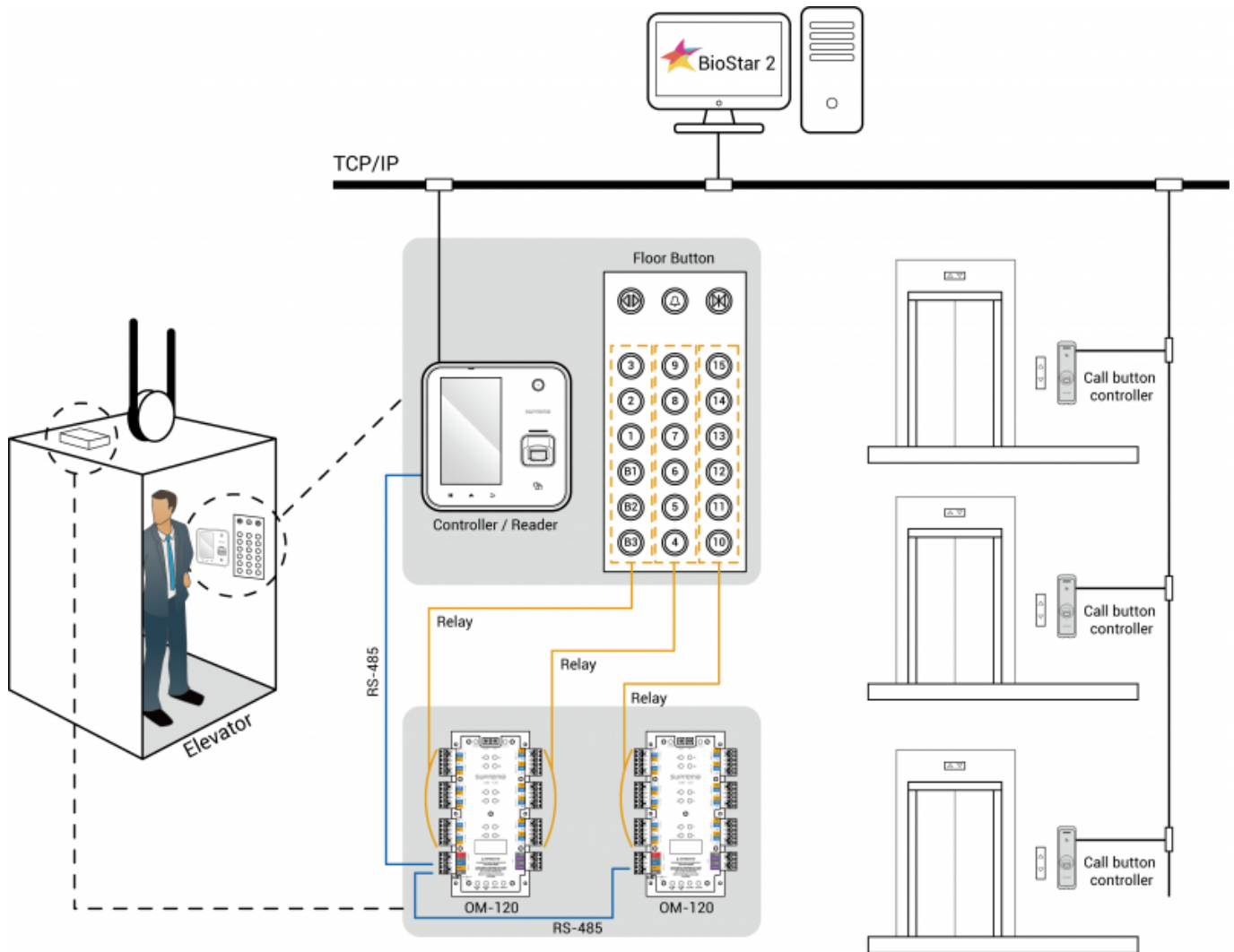
The OM-120 is a 12-relay output control module. When used together with BioStar 2, it is able to control the access to select floors from the elevator.

For one controller maximum of 16 OM-120 devices can be connected using a RS-485 daisy chain model, and it also supports AUX input. Furthermore, it can be used together with other features such as Anti-Passback zones, and Fire Zones.

Features

- Each module supports 12 relays.
- Each elevator configuration in BioStar 2 can control up to 192 floors (12 relay x 16 OM-120)
- When an anti-passback alarm is triggered, it can be configured to send out a particular signal.
- Selected elevator groups can be added and managed in Fire Alarm zones.
- It is internally equipped with terminating resistors to allow for RS-485 connections.

Elevator connection configuration



Physical Configuration and Settings

When configuring an elevator with BioStar 2, the three mandatory elements are **controller**, **reader**, **module**.

- **Controller** is used to check and match the credentials what are scanned on the reader with the access groups, and also to control the relay of the slave device. It can only select one master device.
- **Reader** is installed inside the elevator and is used to scan the credentials. It can select multiple devices amongst Master device, slave device and/or Wiegand device.
- **Module** is used to send a control signal to the buttons on the elevator as a result of the authentication result on the controller. It can only be set with the OM-120, and multiple modules can be selected.

Configuration

• Controller: BioStation A2 541531008 (192.168...)

• Reader: BioStation A2 541531008 (192.168...)

• Module: OM-120 12345678

Floor

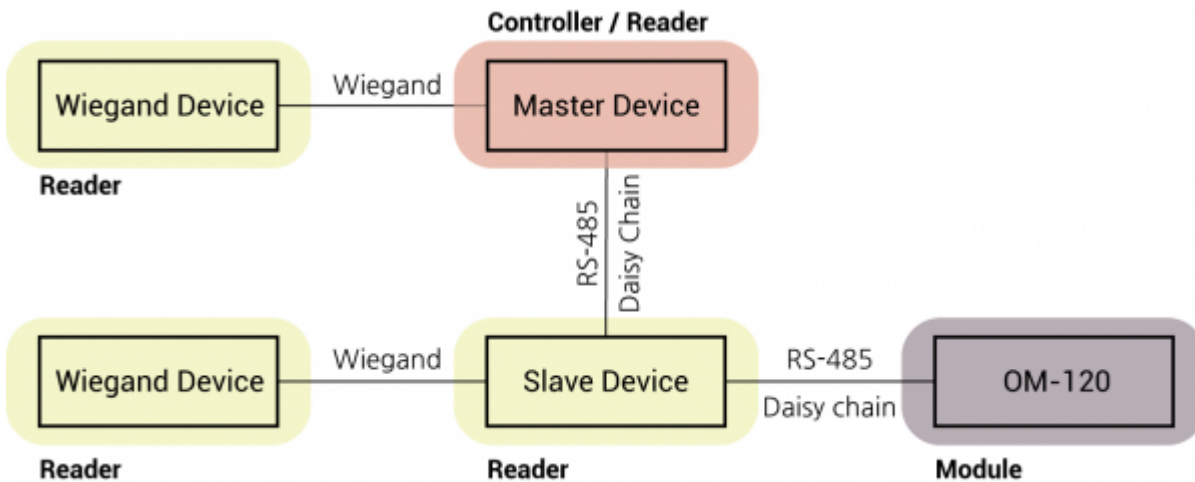
• Total Number of Floors: 12 • Auto-mapping: Auto-mapping

• Floor Settings

Floor Name	Device	Relay Number	
Elevator 1 - 1	OM-120 12345678	Relay 0 of OM-120 12345678 De...	<input type="button" value="trash"/>
Elevator 1 - 2	OM-120 12345678	Relay 1 of OM-120 12345678 De...	<input type="button" value="trash"/>
Elevator 1 - 3	OM-120 12345678	Relay 2 of OM-120 12345678 De...	<input type="button" value="trash"/>
Elevator 1 - 4	OM-120 12345678	Relay 3 of OM-120 12345678 De...	<input type="button" value="trash"/>
Elevator 1 - 5	OM-120 12345678	Relay 4 of OM-120 12345678 De...	<input type="button" value="trash"/>

[BioStar 2 Elevator setting screen]

The physical connections and the features of each device in the elevator control configuration is as below.

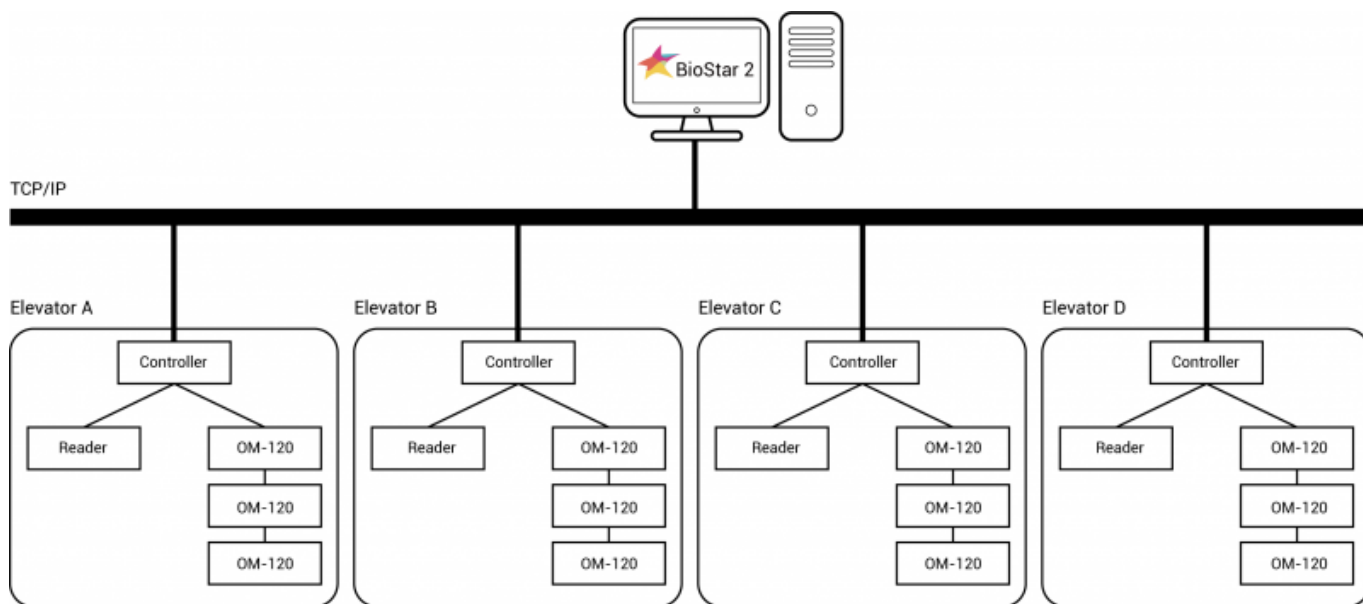


Note

- To configure the elevator control, the **AC Advanced** License must be activated.
- BioEntry Plus, BioLiteNet, and BioEntry W does not support OM-120

Controlling 4 elevators in a 36 floor building

With BioStar 2.4.0 one controller is needed per elevator, therefore for four elevators, 4 controllers are required. The physical configuration can be connected as per the image below.



Floor Privilege Setting

After the physical connection is completed, from BioStar 2 the privileges to each floor and the setting of access groups must be completed for the elevator buttons to be correctly activated.

Click **ADD FLOOR LEVEL** on the **Access Control** menu. Select the registered elevator and then select the name of each floor that you wish to configure access privileges. This action is to configure the floor levels that each elevator will be operating.

Maximum of 128 Floor Levels can be created in BioStar 2.

The elevator setting below is an example of Elevator 1 which operates up to the 6th floor.

• Name

• Description

Elevator	Floor Name	Schedule	+ Add
Elevator 1	Elevator 1 - 1 + 5	Always	

Elevator 1 - 1
 Elevator 1 - 2
 Elevator 1 - 3
 Elevator 1 - 4
 Elevator 1 - 5
 Elevator 1 - 6
 Elevator 1 - 7
 Elevator 1 - 8
 Elevator 1 - 9

[Floor level setting screen]

After the Floor Level is correctly configured, click **ADD ACCESS GROUP** on the **ACCESS CONTROL** menu and select the users that are to be given floor levels.

• Name

• Description

• Access Rule

Access Level	+ Add	Floor Level	+ Add
		FL 1	

User Group	+ Add	User	+ Add
		3(User 000)	
		10(User 001)	
		11(User 002)	
		12(User 003)	
		13(User 004)	

If configured like the image above, the buttons to access the 1st to 6th floor will be initiated for *User 000*, *User 001* and *User 002* when using *Elevator 1*.

From:

<http://kb.supremainc.com/knowledge/> -

Permanent link:

http://kb.supremainc.com/knowledge/doku.php?id=en:tc_appnote_om120_elevator_configuration&rev=1615442346

Last update: **2021/03/11 14:59**