

Table of Contents

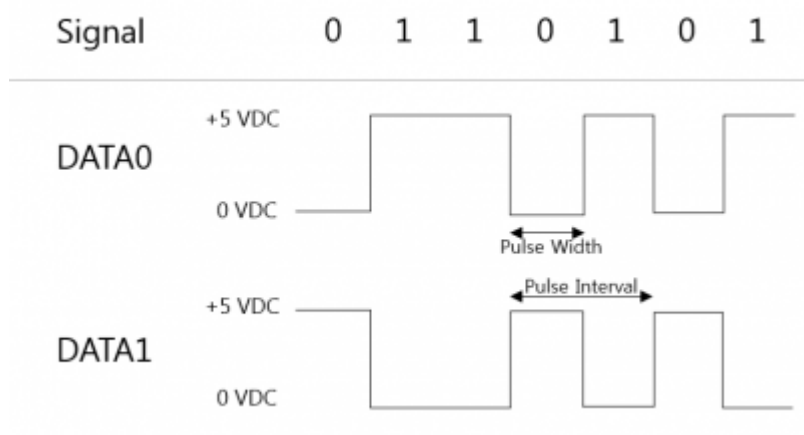
Wiegand	1
Technical Information	1

Wiegand

A method that transfers a small amount of data using D0 and D1. Generally it is used as a method of communication between the reader and controller of an access control device.

When a 0 is sent the D0 wire is pulled to a low voltage while the D1 wire stays at a high voltage. When a 1 is sent the D1 wire is pulled to a low voltage while D0 stays at a high voltage.

[Example]



Technical Information

- [Understanding Wiegand](#)

From: <https://kb.supremainc.com/knowledge/> -

Permanent link: <https://kb.supremainc.com/knowledge/doku.php?id=en:wiegand>

Last update: **2015/10/27 10:10**