

CoreStation	1
CoreStation	4
	8

, BioStar 2, CoreStation, "P2", "R2"

CoreStation

BioStar 2.5

3

BioEntry P2, CoreStation

CoreStation BioEntry Plus
BioEntry R2가



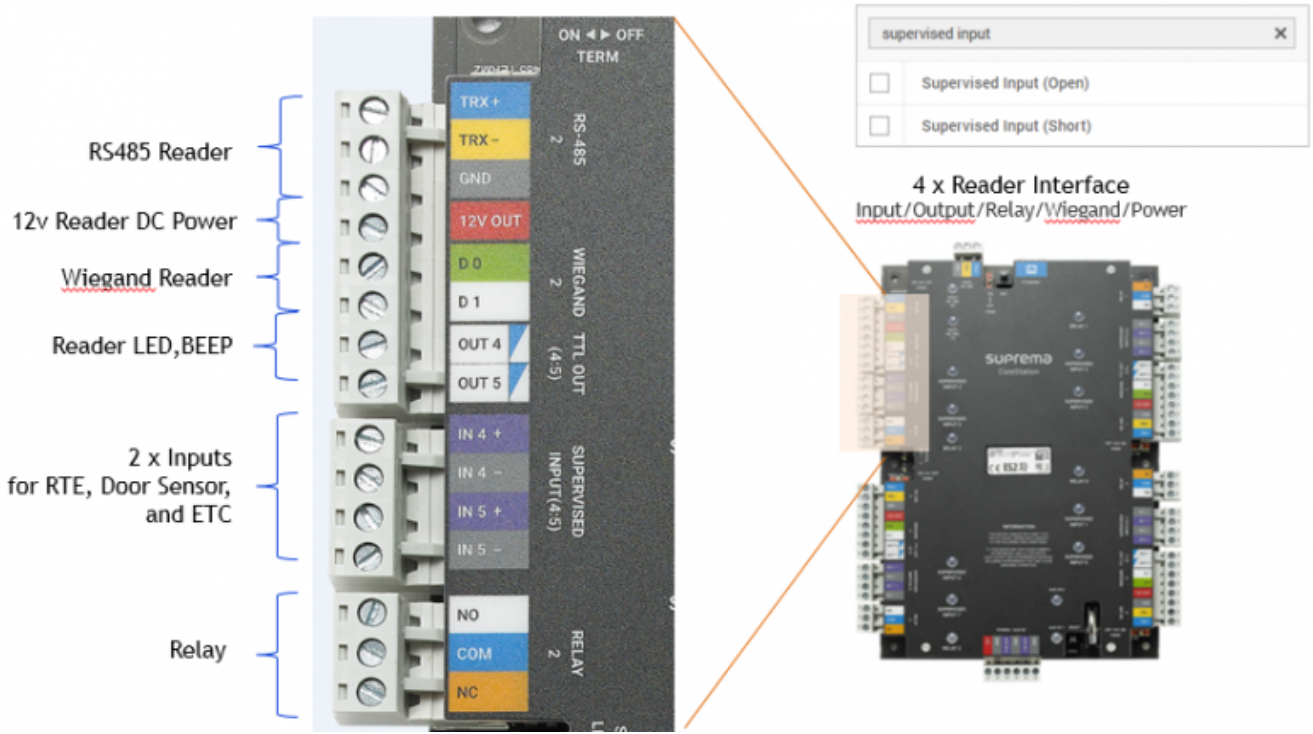
CoreStation

CoreStation 4
485 가

Wiegand

, 4 Wiegand ,

5 RS-



DM-20 Supervised input ,

가 ,

400,000 가

, 1 가 1:1

500,000 1,000,000

가

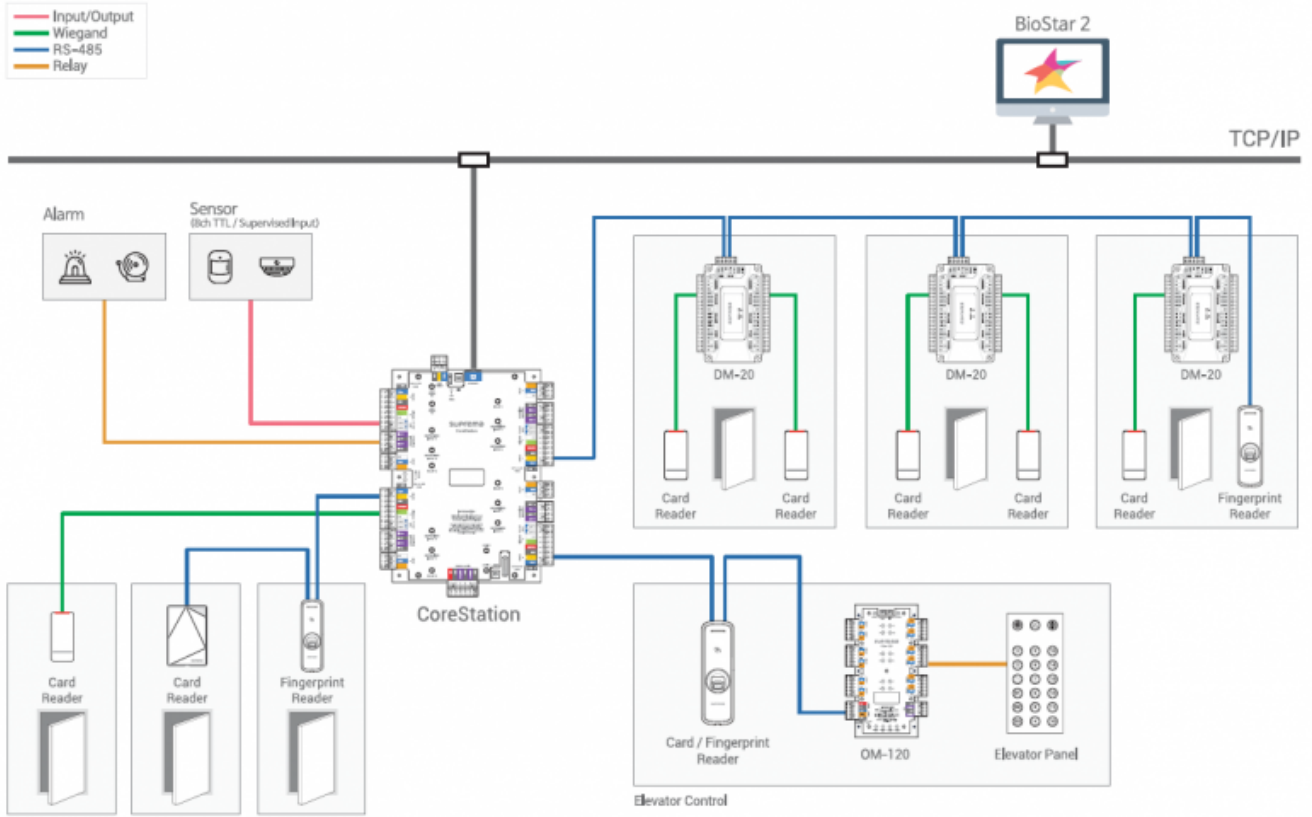
RS-485 ,

2 Wiegand 가 64 DM-20 Wiegand CoreStation 132

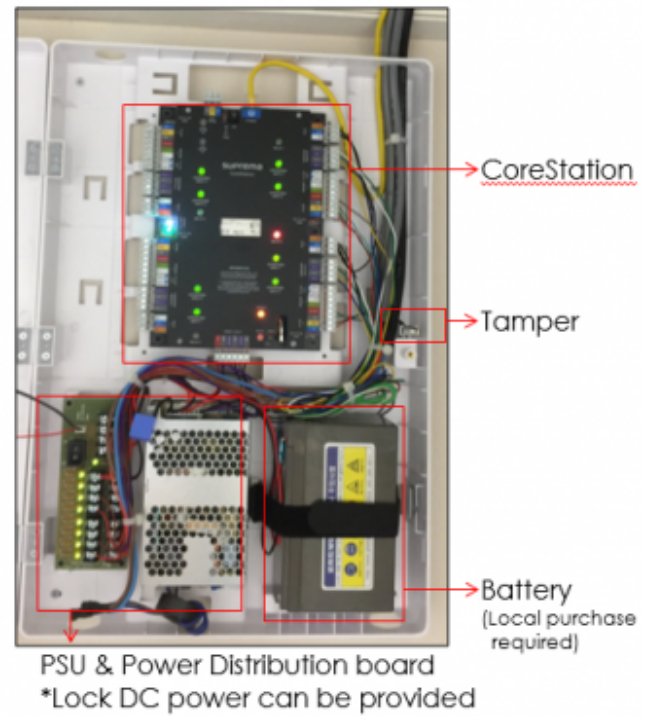
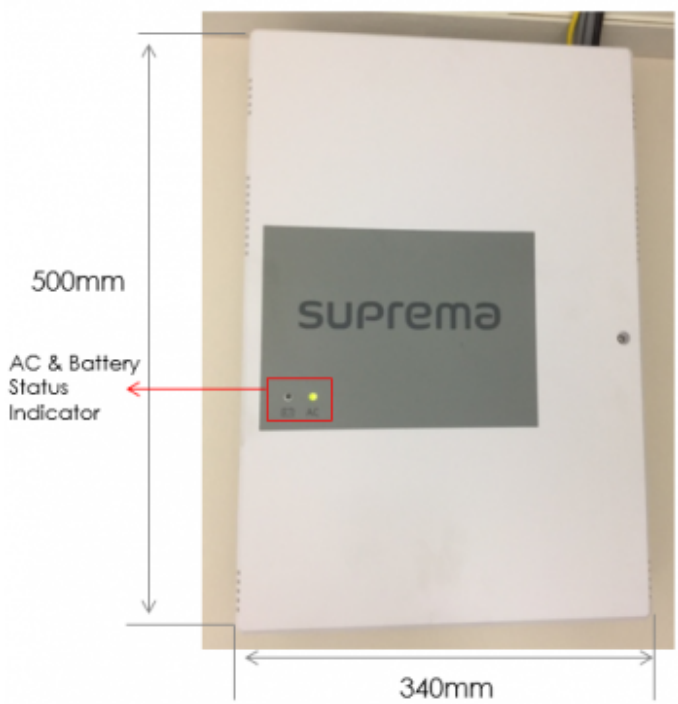
, CoreStation

FaceStation 2

System Configurations



DM-20 , RF , RF , RF
 CoreStation BioStar 2 RS-485 Wiegand



CoreStation

(ENCR-10,)

CoreStation	가	,	가
	30		

CoreStation	가	가	
CoreStation			PDF

CoreStation Configuration Options



[BioEntry R2 / BioEntry P2]

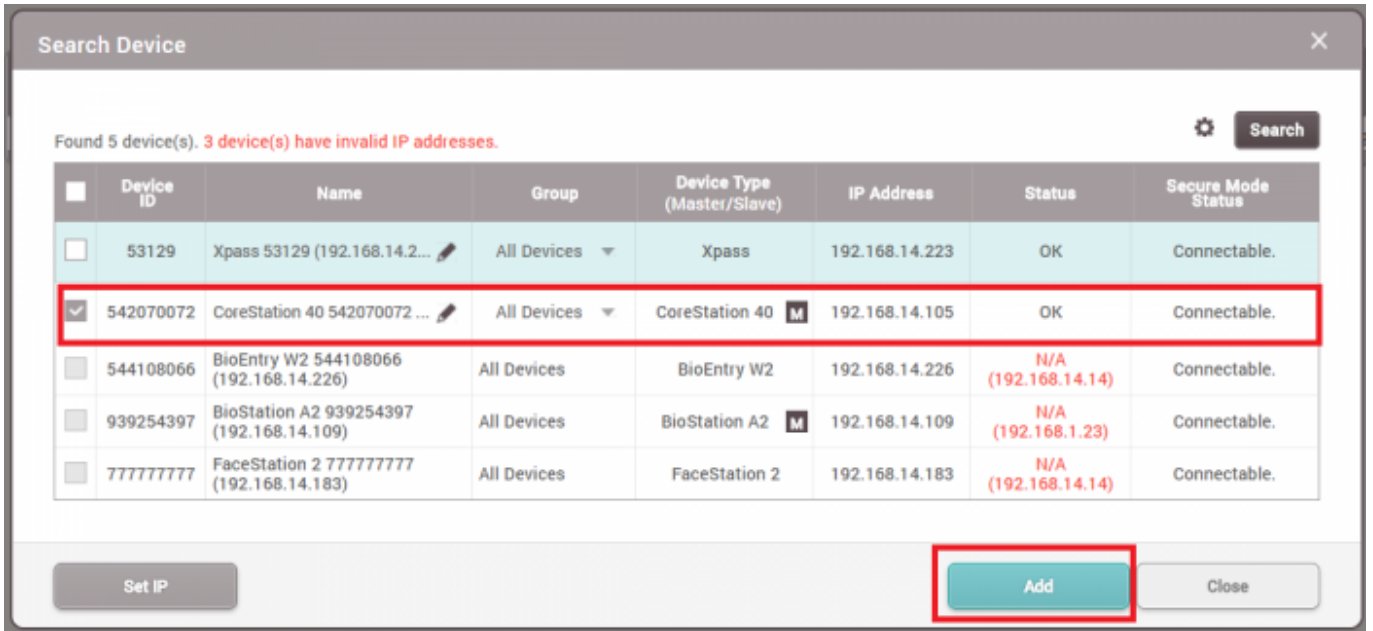
BioEntry R2	BioEntry P2	BioStar 2.5	가
	R2		
	RS-485		

[A&E specification page](#)

CoreStation

CoreStation	,	RS-485
-------------	---	--------

1. BioStar 2
2. **(DEVICE)**
3. **(Search Device)**
4. CoreStation 가**(Add)**

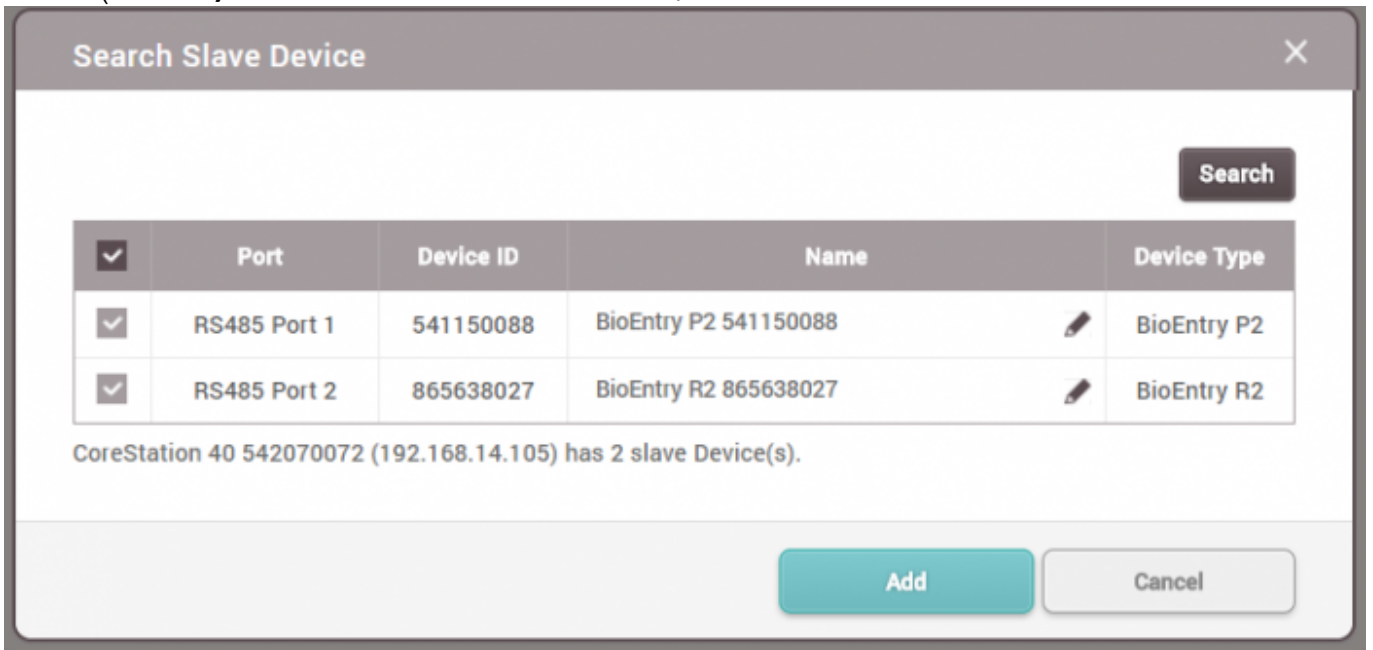


5. CoreStation

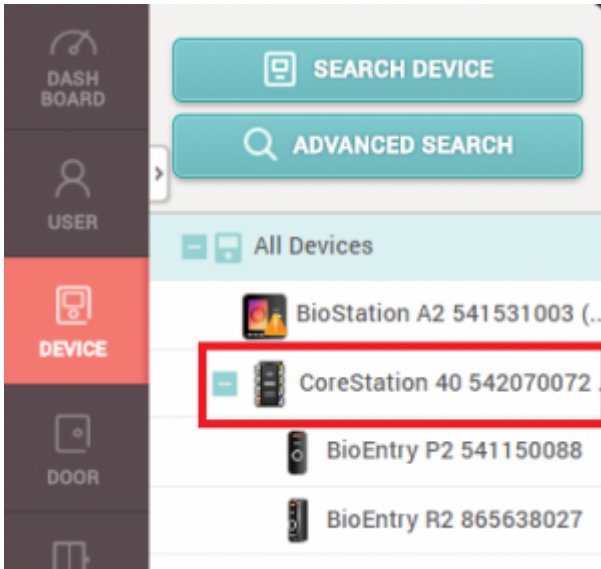
(Search Slave Device)

6. (Search)

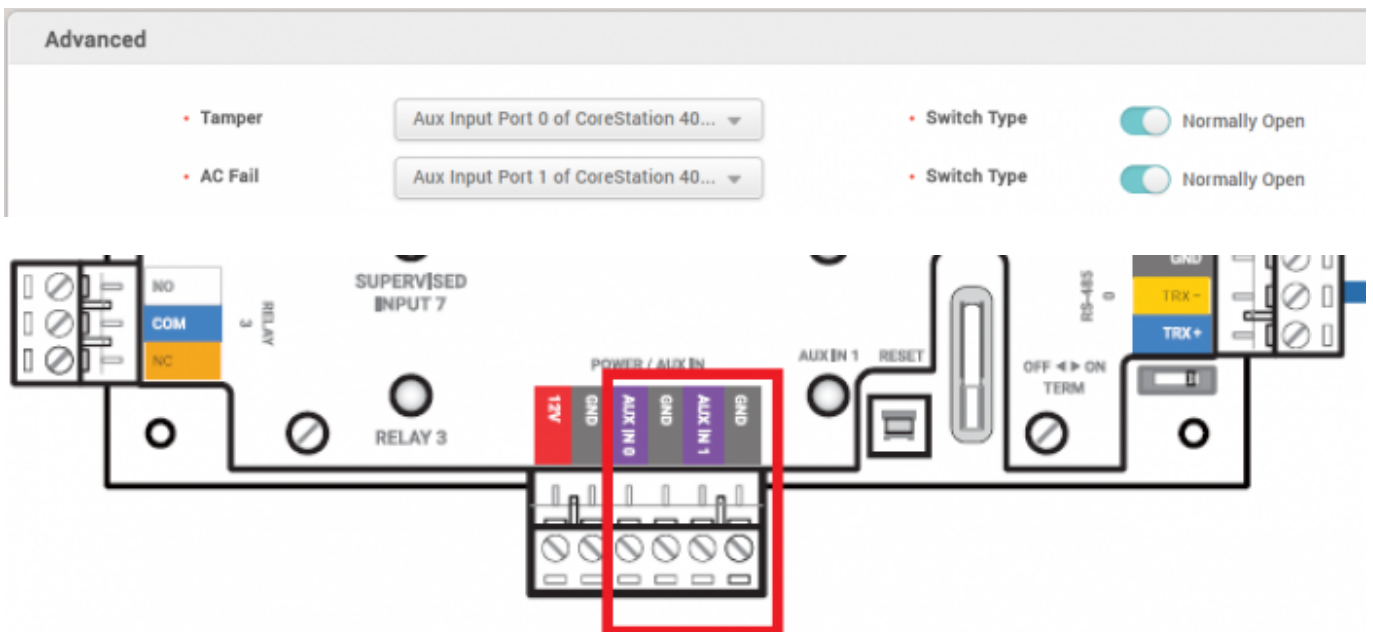
가

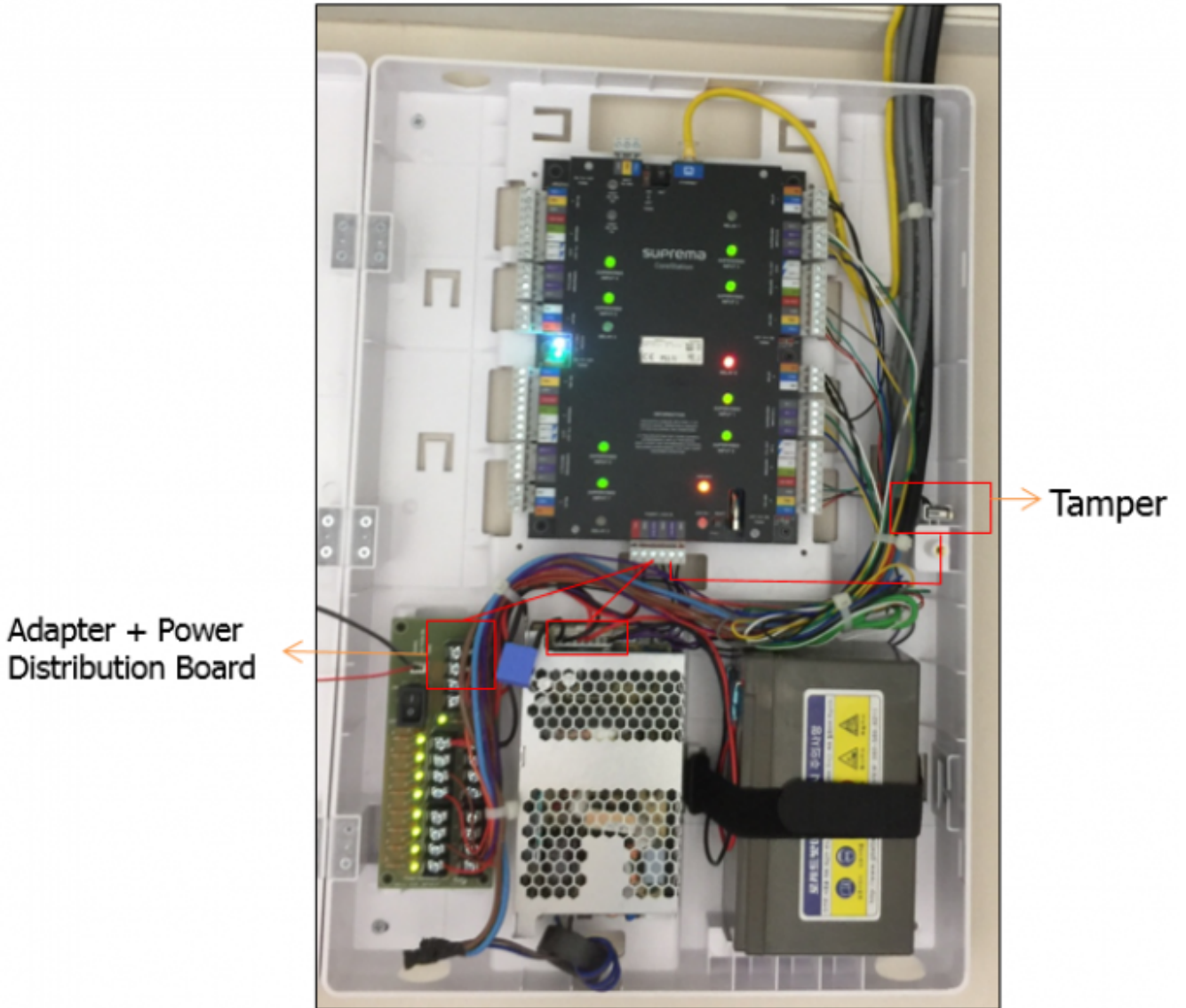


7. CoreStation



8. CoreStation Aux (Tamper) AC (AC Fail) (Advanced)





9. Supervised input

, **Supervised Input**

..

Supervised Input

- Configuration

Index	Supervised	Supervised Input Resistor
0	<input checked="" type="checkbox"/> Supervised Input	2.2k Ω ▼
1	<input checked="" type="checkbox"/> Supervised Input	2.2k Ω ▼
2	<input checked="" type="checkbox"/> Supervised Input	2.2k Ω ▼
3	<input checked="" type="checkbox"/> Supervised Input	2.2k Ω ▼
4	<input checked="" type="checkbox"/> Supervised Input	2.2k Ω ▼
5	<input checked="" type="checkbox"/> Supervised Input	2.2k Ω ▼
6	<input checked="" type="checkbox"/> Supervised Input	2.2k Ω ▼
7	<input checked="" type="checkbox"/> Supervised Input	2.2k Ω ▼

Supervised input

. DM-20

[2x_sysconfig_corestation_video.mp4](#)

From:

<http://kb.supremainc.com/knowledge/> -

Permanent link:

http://kb.supremainc.com/knowledge/doku.php?id=ko:how_to_configure_corestation

Last update: **2020/03/03 08:32**