

DM-20 1

 , DM-20 1

 1

 1

Supervised Input 2

 2

BioStar 2 DM-20 3

 3

Wiegand x 2 3

Wiegand x 1, x 1 4

 5

 2 6

 4 7

 9

DM-20

DM-20

, DM-20



DM-20 Wiegand I/O 가 , BioStar 2 Wiegand
 4 Supervised Input I/O LED, Buzzer, Tamper

- BioStar 2 Wiegand LED, Buzzer, Tamper
- Supervised Input ON, OFF, BioStar 2
- 1 DM-20 2 Wiegand , DM-20 RS-485
- Wiegand 62 (12V, 1.5A) 가
- - RS-485 x1
 - TTL input x4
 - TTL output x6
 - Wiegand x2
 - Relay x4
 - Supervised Input x4

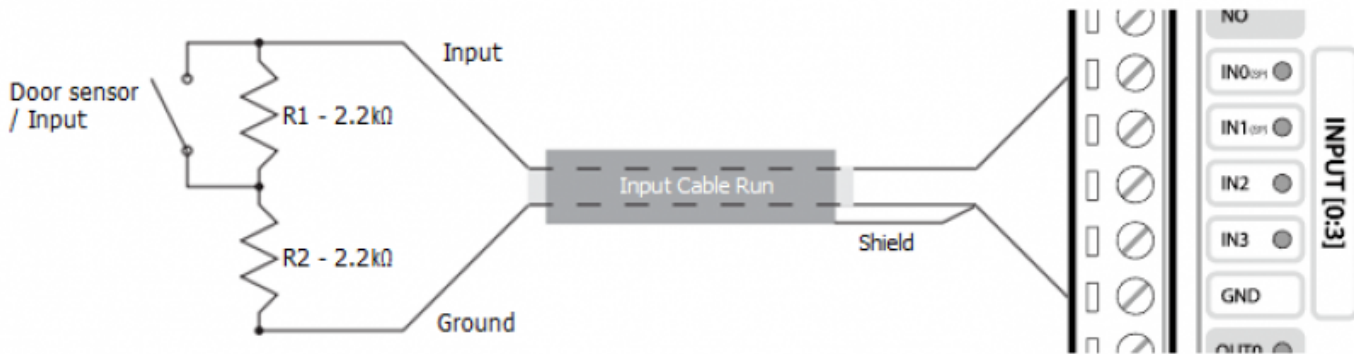
• DM-20 가

- Wiegand DM-20 Supervised Input BioStar 2

Supervised Input

Supervised Input 4 가 (, , ,)

[Supervised Input]



- 가 (ON) R1 R2 R2
- 가 (OFF) 2.2kΩ (R2) R1 R2 4.4kΩ (R1 + R2)
- 가 가 가
- 0

[DM-20 LED]


DM-20 LED		
ON		2.2 kΩ
OFF		4.4 kΩ
		0

[]

	1K	2.2K	4.7K	10K
ON	0.4~0.7V	0.8~1.3V	1.4~1.8V	2~2.4V
OFF	0.8~1.2V	1.4~1.9V	1.9~2.5V	2.5~2.9V

	1K	2.2K	4.7K	10K
	3.1~3.3V	3.1~3.3V	3.1~3.3V	3.1~3.3V
	0~0.2V	0~0.2V	0~0.2V	0~0.2V

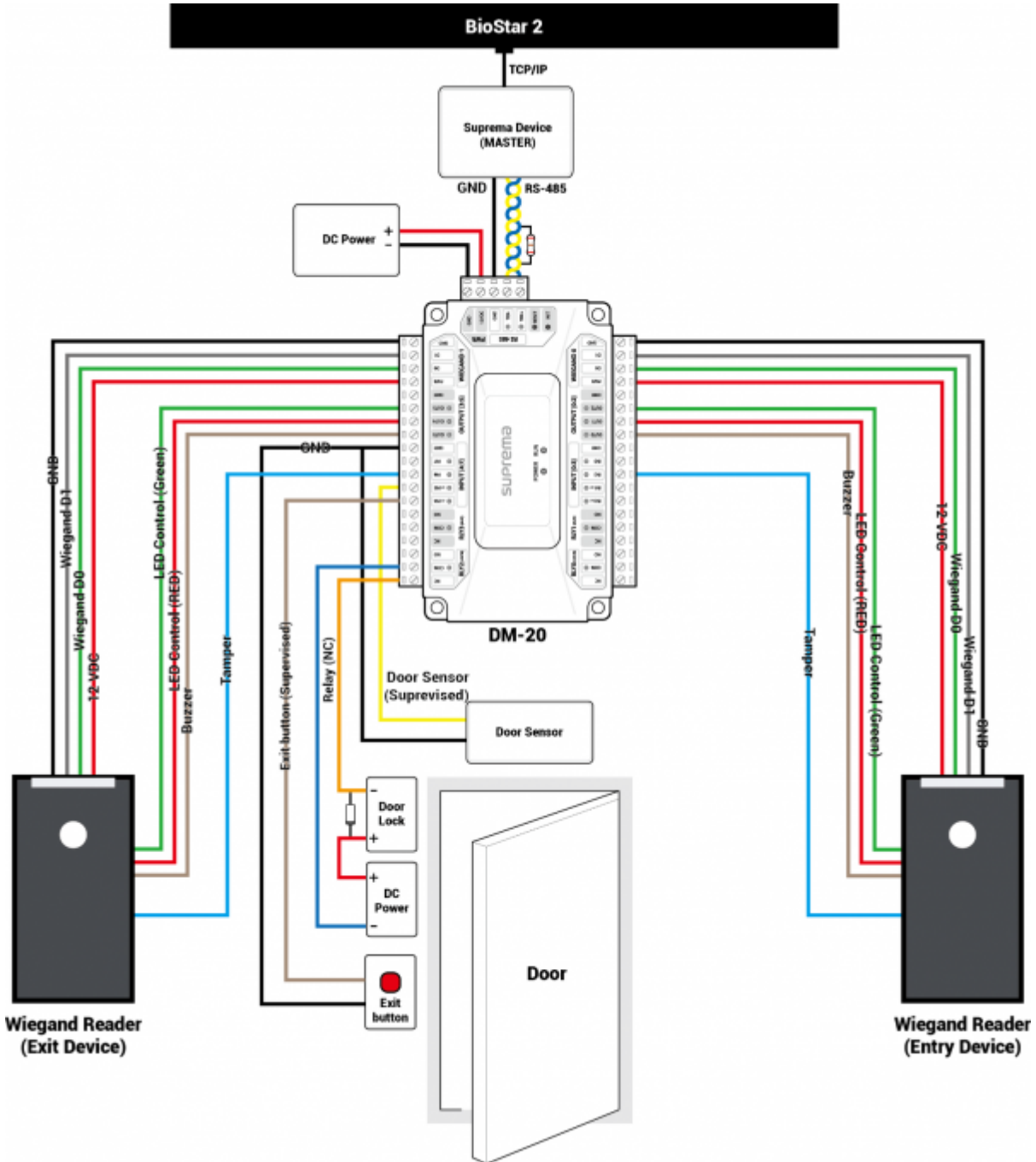
- DM-20 1 kΩ, 2.2 kΩ, 4.7 kΩ, 10 kΩ
- DM-20 4 Supervised Input (IN0(SP), IN1(SP), IN4(SP), IN5(SP))



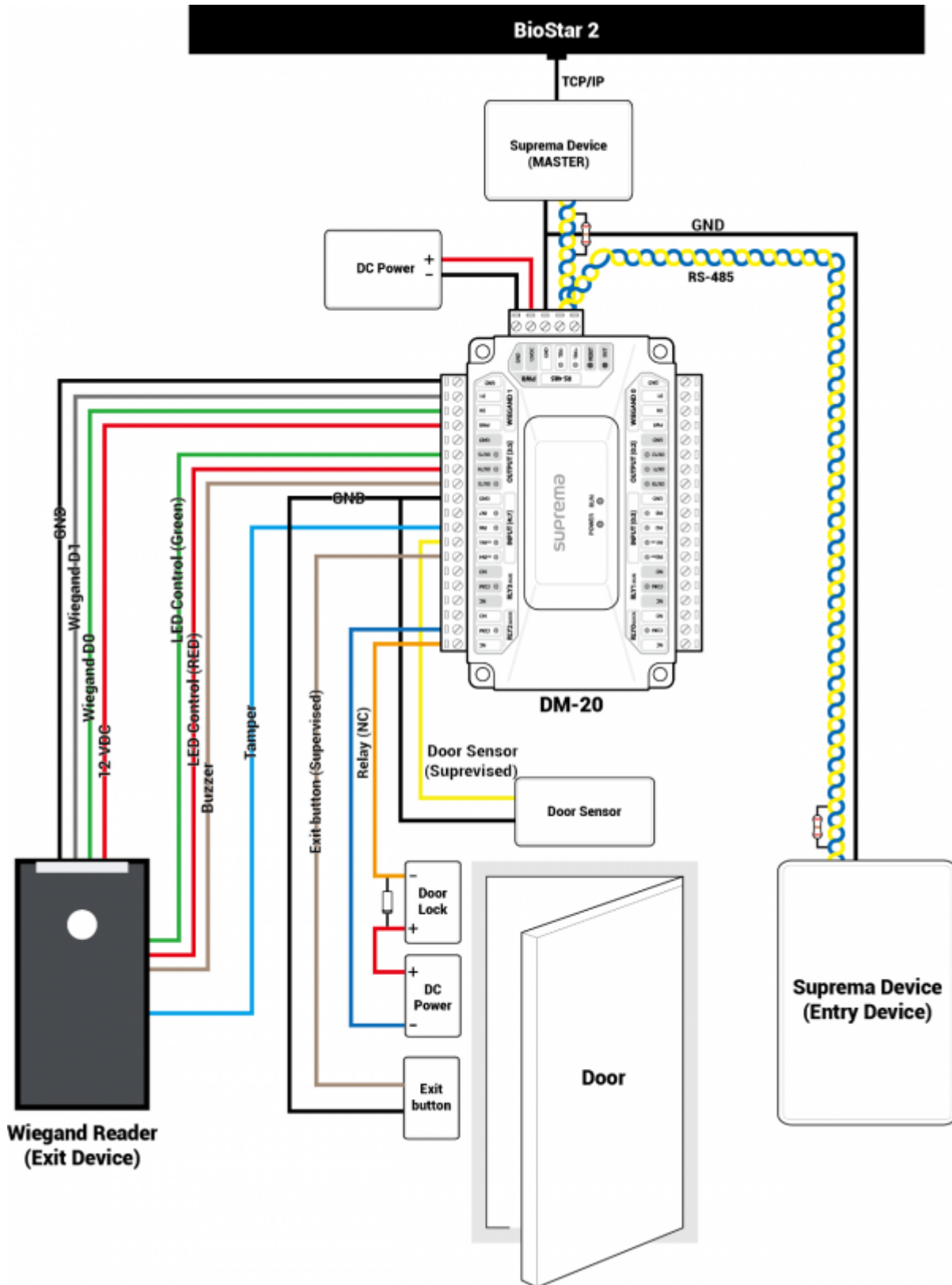
BioStar 2 DM-20

BioStar 2 DM-20 가

Wiegand x 2



Wiegand x 1, x 1



DM-20

, RS-485

DM-20

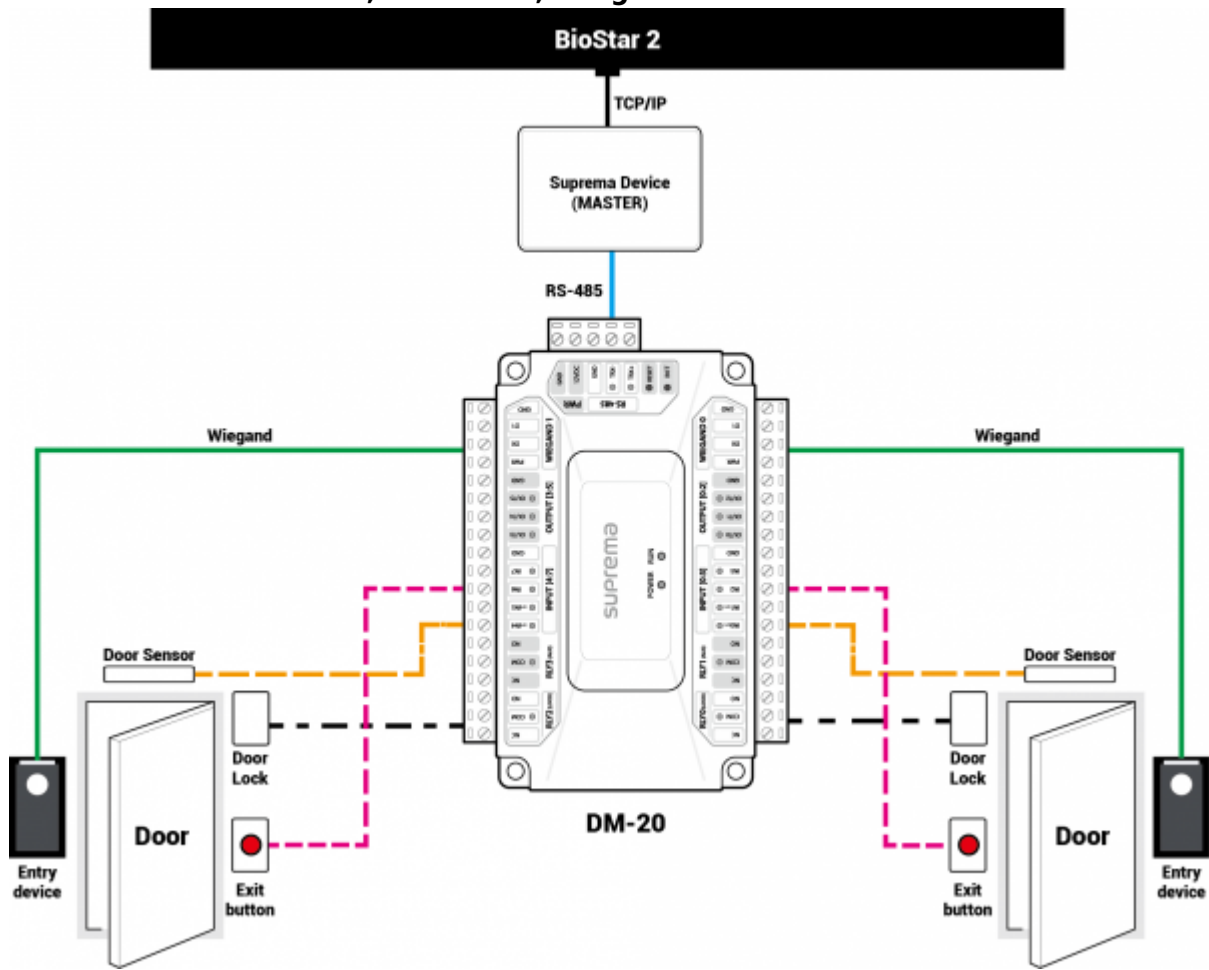
DM-20

2

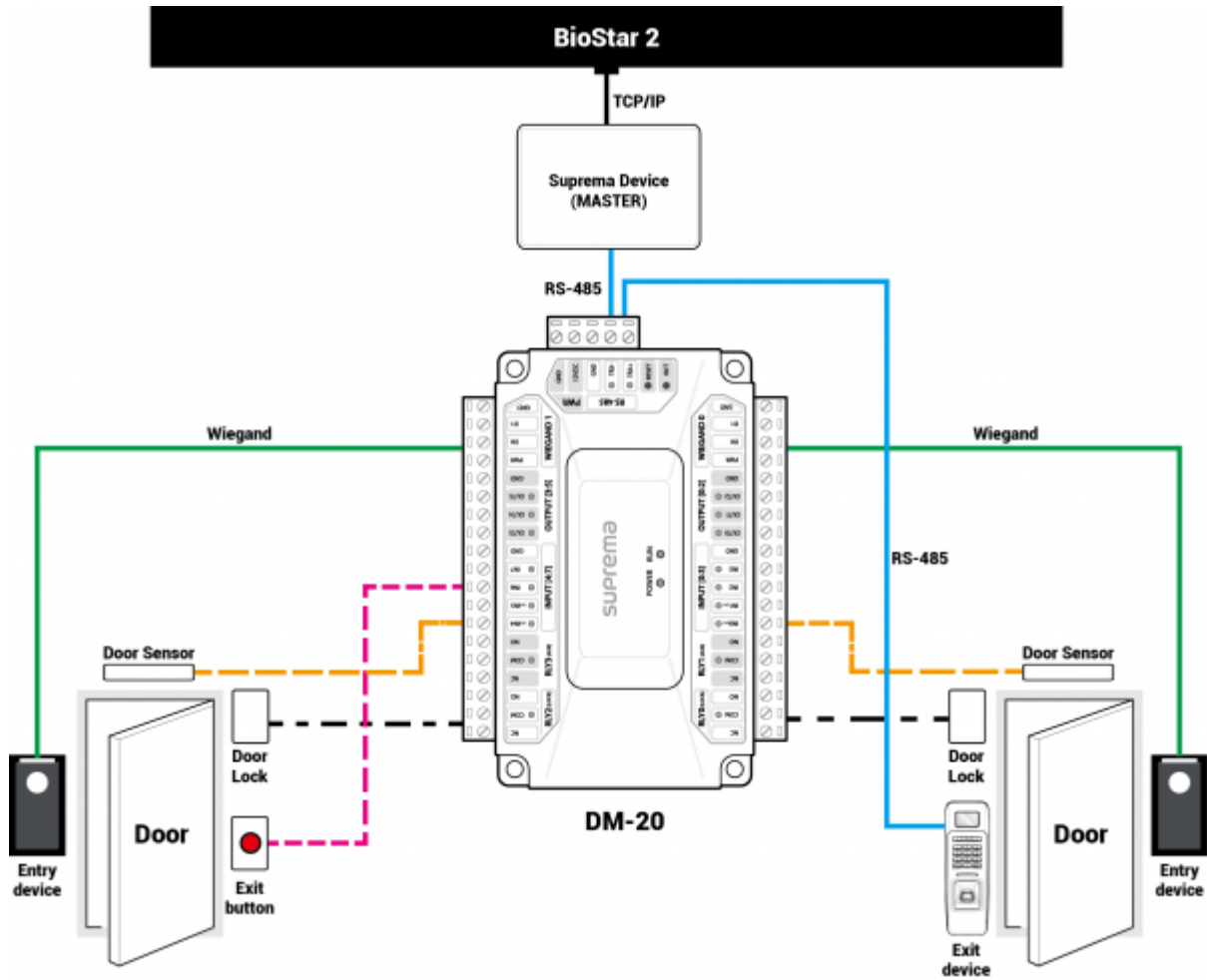
Wiegand

2

: x 1, DM-20 x 1, Wiegand x 2

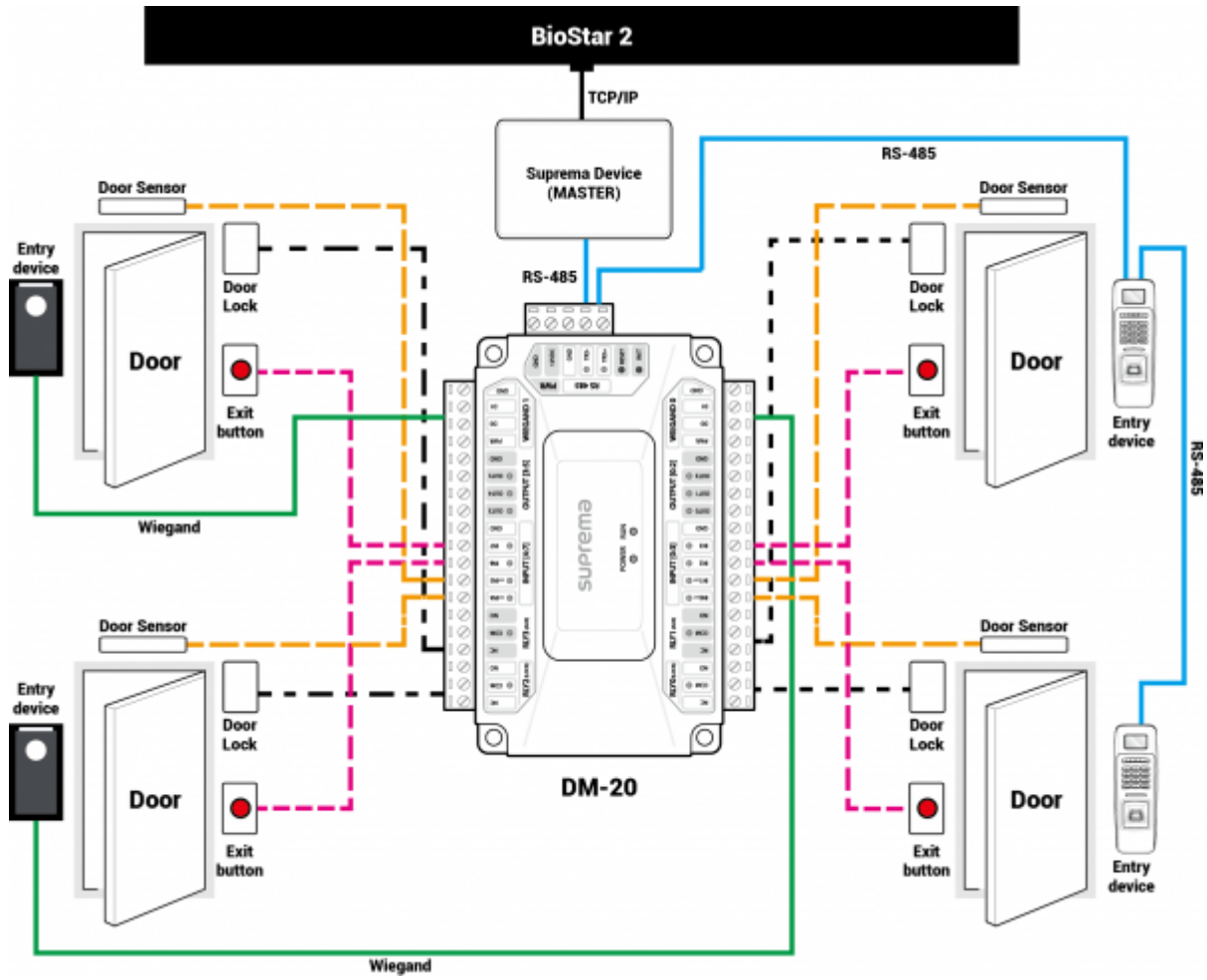


: x 1, DM-20 x 1, () x 1, Wiegand x 2

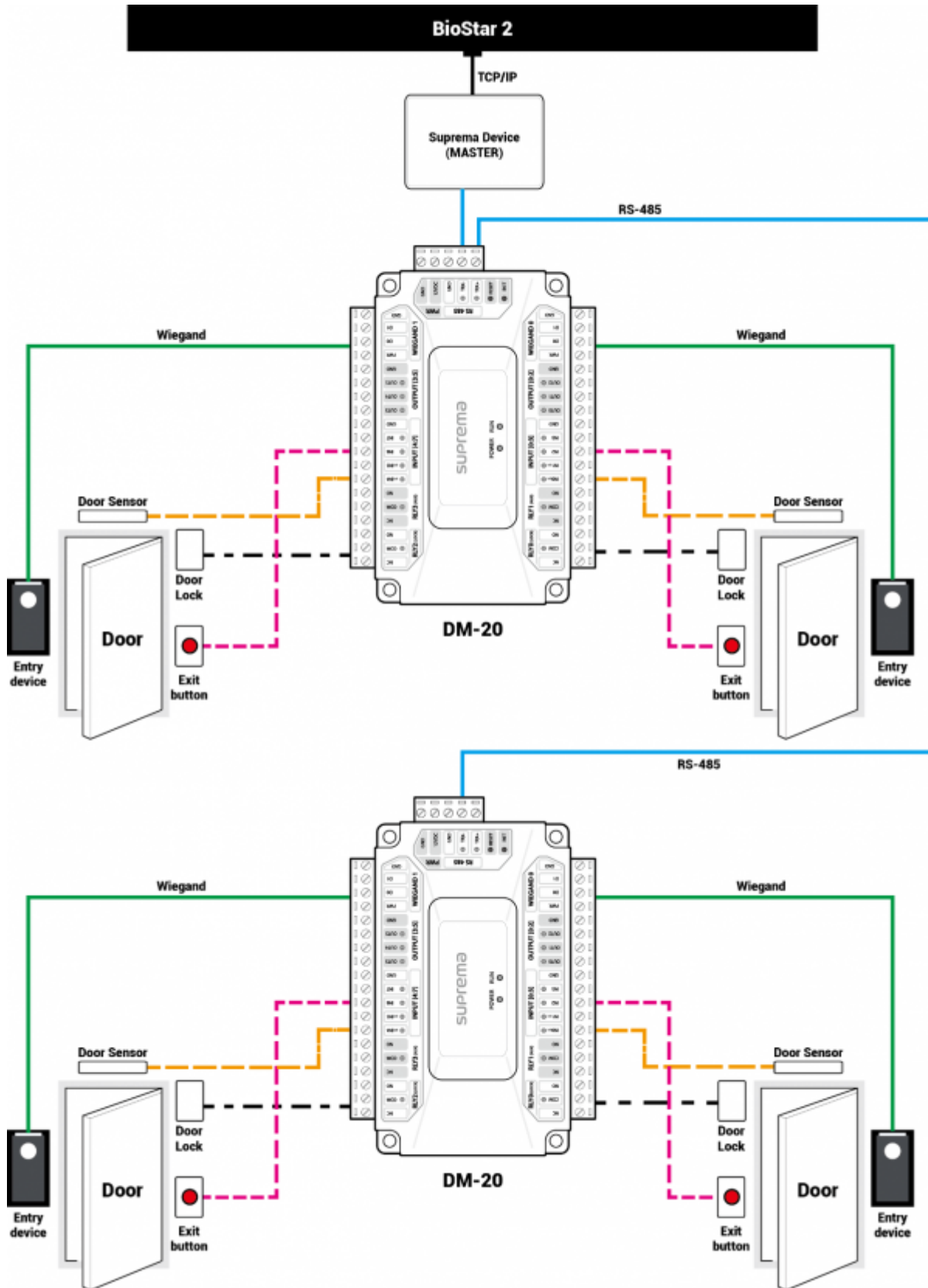


4

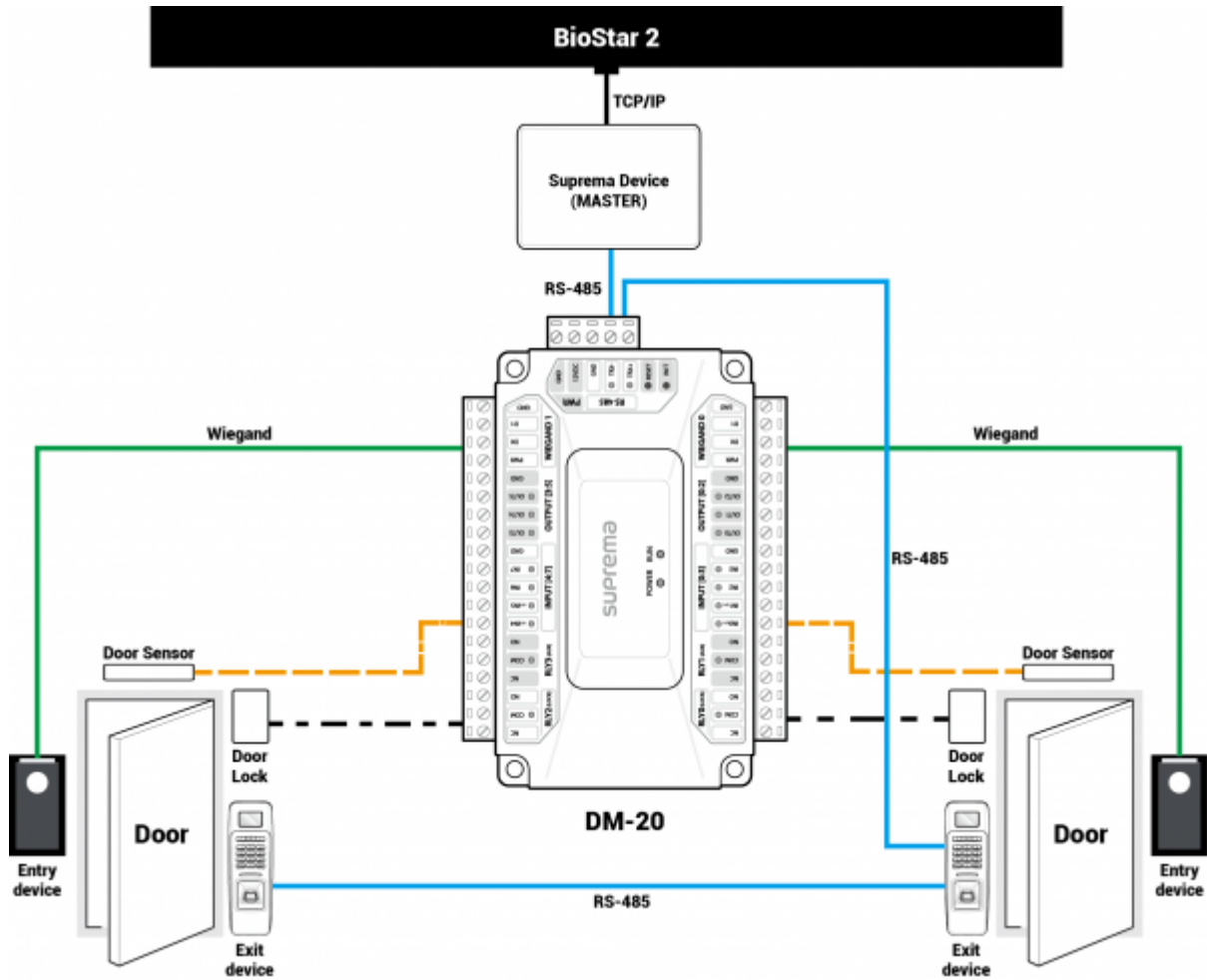
: x 1, DM-20 x 1, Wiegand x 2. () x 2



: x 1, DM-20 x 2, Wiegand x 4



: **x 1, DM-20 x 1,** **x 2, Wiegand** **x 2**



From: <https://kb.supremainc.com/knowledge/> -

Permanent link: https://kb.supremainc.com/knowledge/doku.php?id=ko:tc_appnote_dm20_wiring_examples

Last update: 2016/09/07 14:18