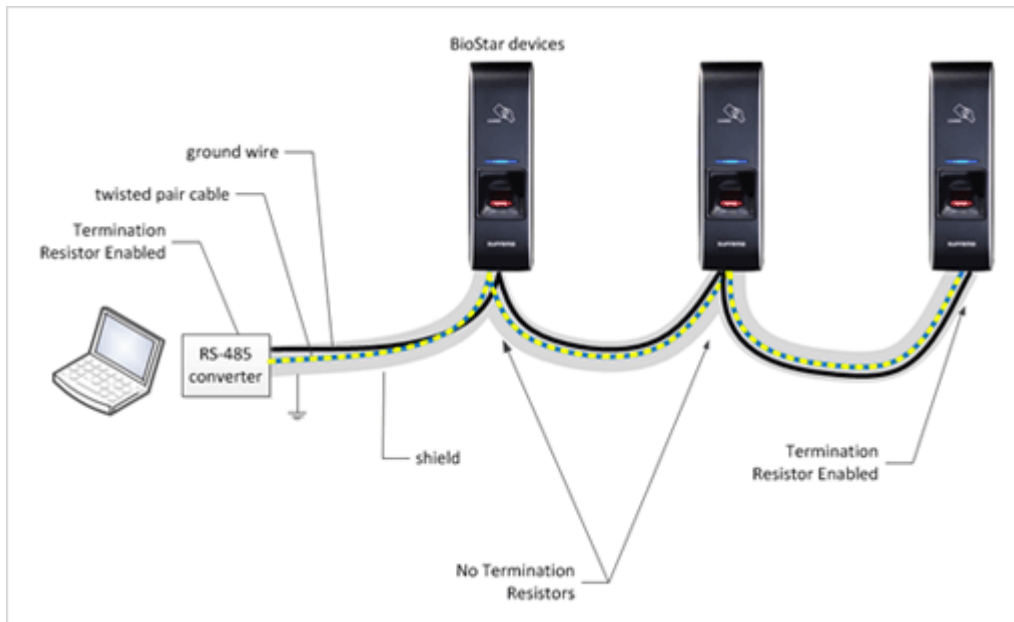
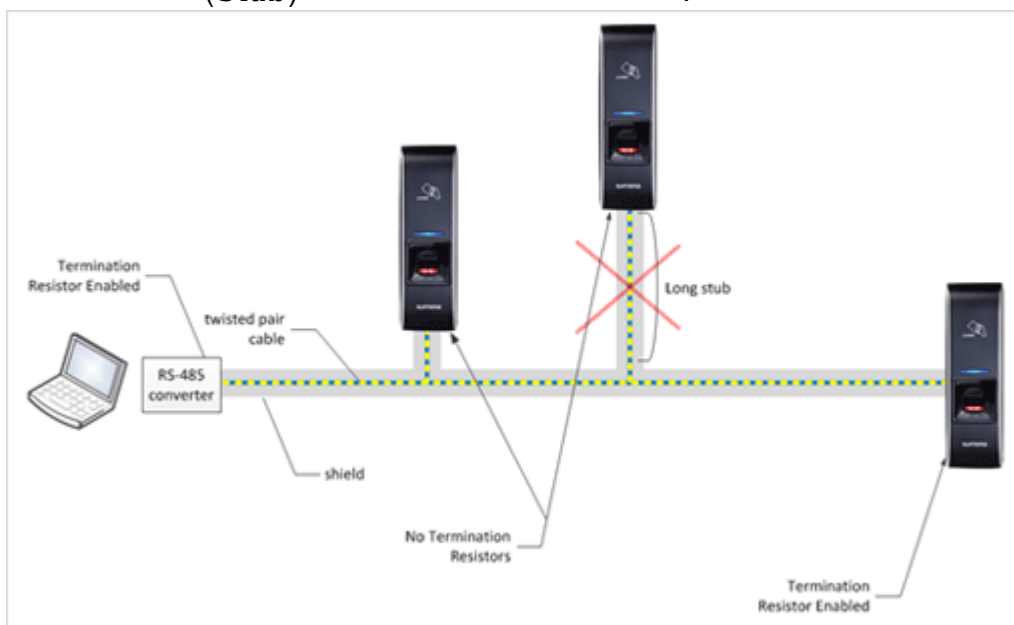


RS-485	.....	1
	.....	1
	.....	1
	.....	1

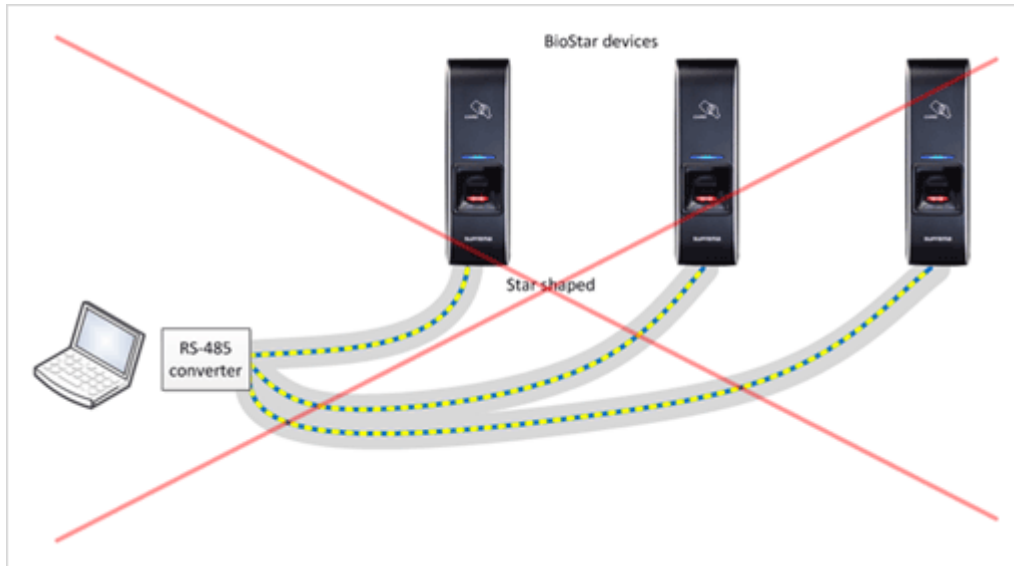




**(Stub)**



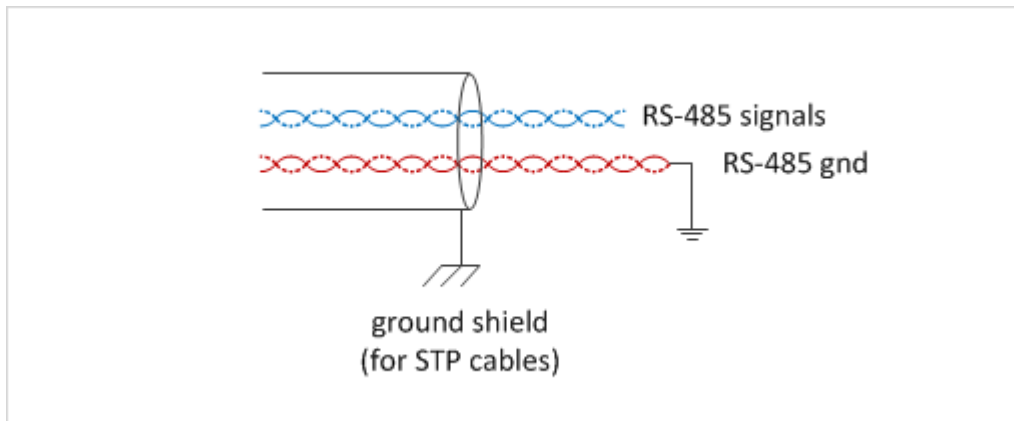
가



RS-485

(TRX+, TRX-)

CAT5



From:

<http://kb.supremainc.com/knowledge/> -

Permanent link:

[http://kb.supremainc.com/knowledge/doku.php?id=ko:tc\\_technology\\_rs-485\\_wiring\\_guidelines](http://kb.supremainc.com/knowledge/doku.php?id=ko:tc_technology_rs-485_wiring_guidelines)

Last update: **2016/08/29 09:54**