

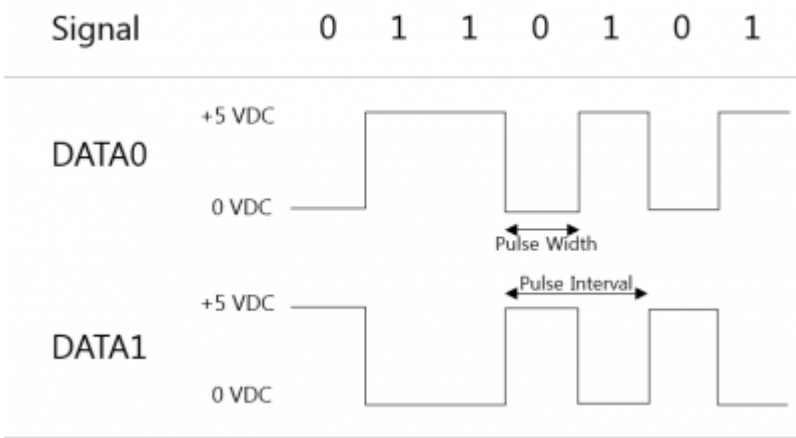
Wiegand 1

Wiegand

DATA0, DATA1¹⁾

- 가 D0 D1 1 (+5VDC) 가
- 0 D0 0(0 VDC) D1 1(+5VDC)
- 1 D1 0(0 VDC) D0 1(+5VDC)

[]



1)

D0, D1

From:

<https://kb.supremainc.com/knowledge/> -

Permanent link:

<https://kb.supremainc.com/knowledge/doku.php?id=ko:wiegand>

Last update: **2015/08/31 11:21**