

# Table of Contents

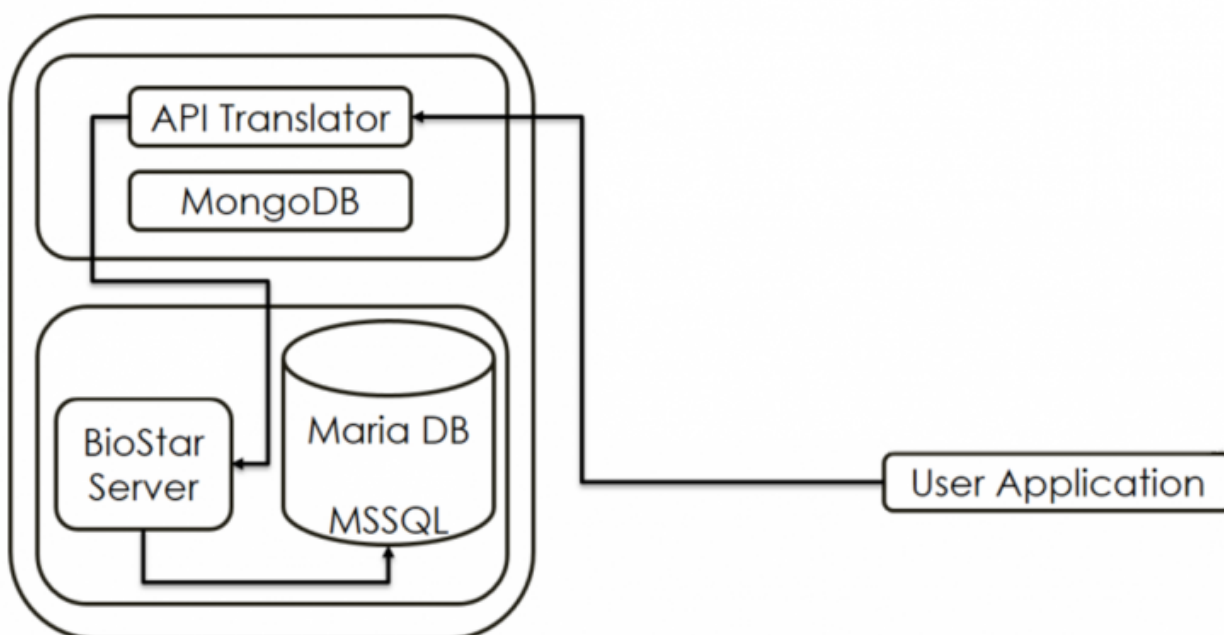
Structure of BioStar 2 Local API .....	1
BioStar 2 API Server(Local API) .....	1

## Structure of BioStar 2 Local API

In case of BioStar 2 Local API, you should install additional application named BioStar 2 API Server on the local PC where BioStar 2 server has been already installed. In other words, BioStar 2 Local API can be used without cloud server.

### BioStar 2 API Server(Local API)

BioStar 2 API Server(Local API) does not utilize the Cloud Server. Instead of usage of Cloud Server, you must install BioStar 2 Local API server separately on the local site. In this case, Ngrok is not needed since BioStar 2 Local API server is located in the same place with BioStar 2 server.



- **Pros:**

1. No limit to processing speed

- **Cons:**

1. When approaching from outside, either public IP or signing up DDNS service is required
2. Installation of **BioStar 2 API Server** is required

- **Reference File:**

## [BioStar 2 API Server Download Page](#)

From:

<http://kb.supremainc.com/knowledge/> - **Knowledge Center**

Permanent link:

[http://kb.supremainc.com/knowledge/doku.php?id=en:types\\_of\\_biostar\\_2\\_api](http://kb.supremainc.com/knowledge/doku.php?id=en:types_of_biostar_2_api)

Last update: **2019/09/03 10:22**