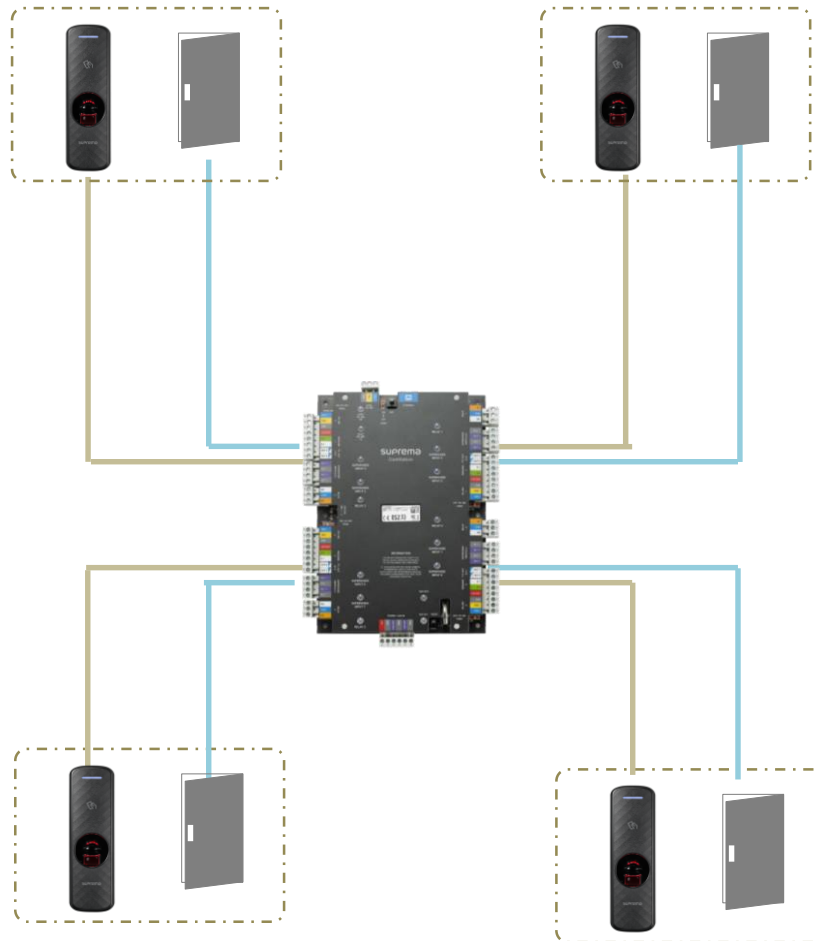
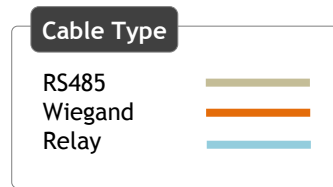


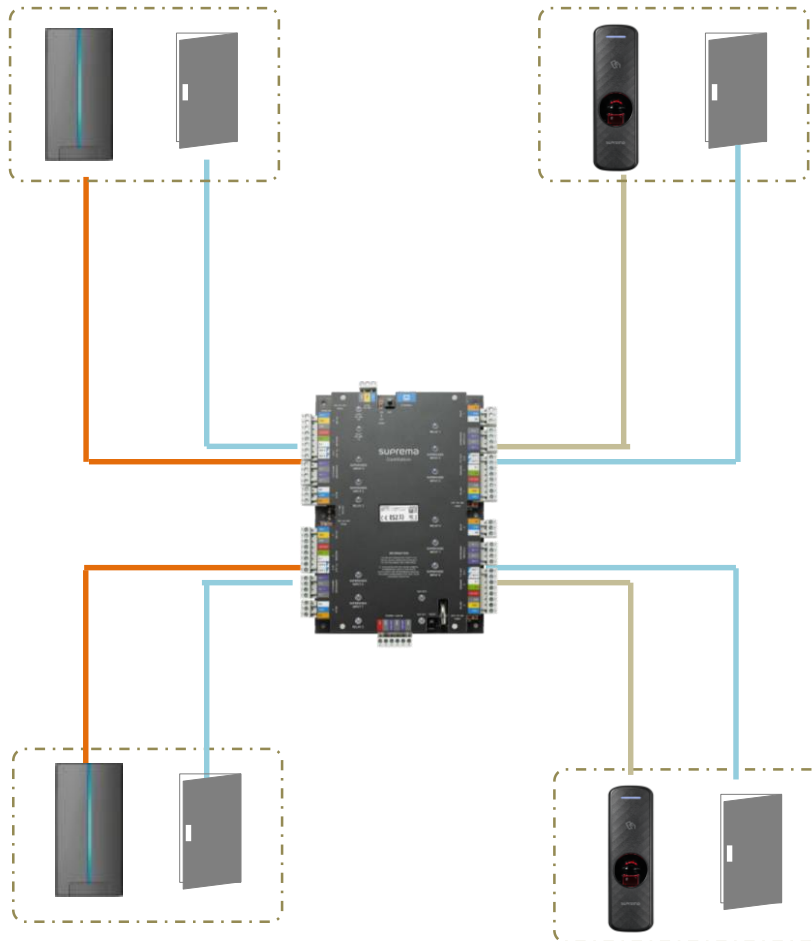
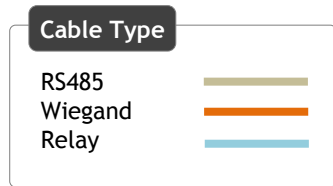
4 Door Configuration

CS + BER2



4 Door Configuration

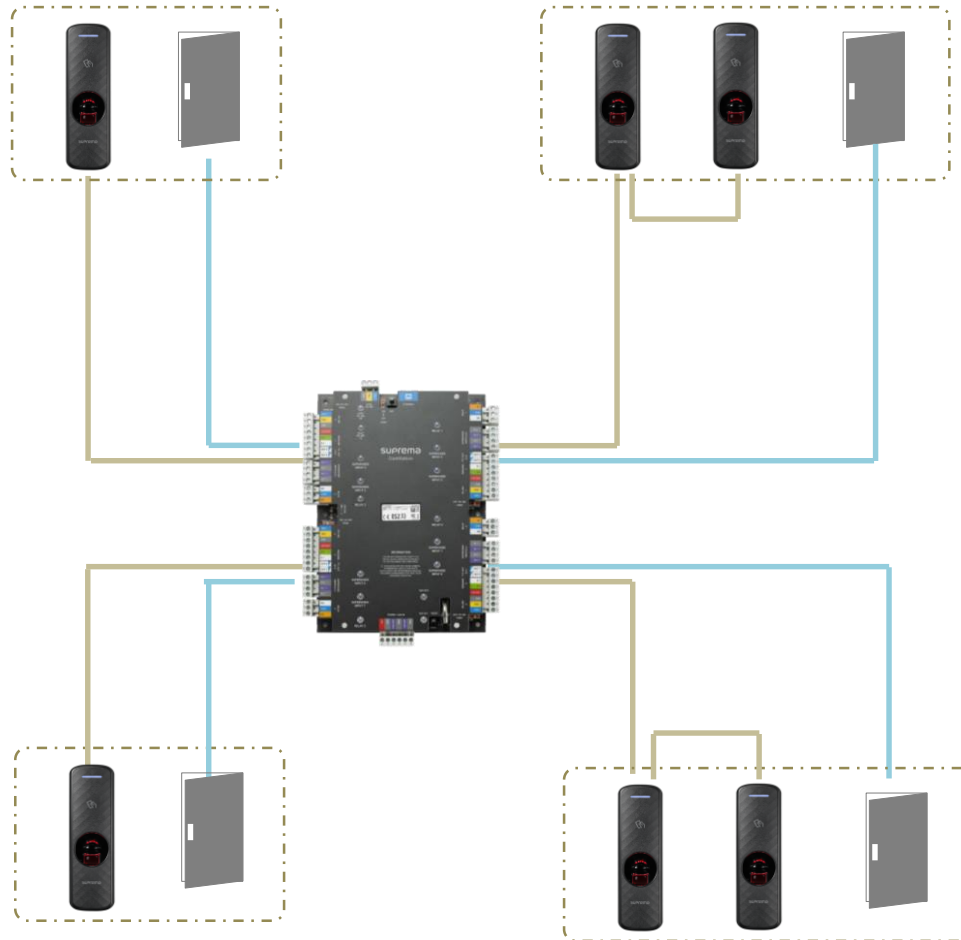
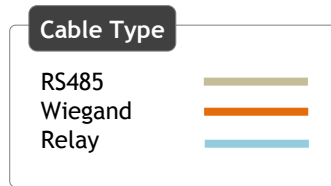
CS + BER2 + 3rd party Wiegand Reader



4 Door Configuration

CS + BER2 (Daisy Chain)

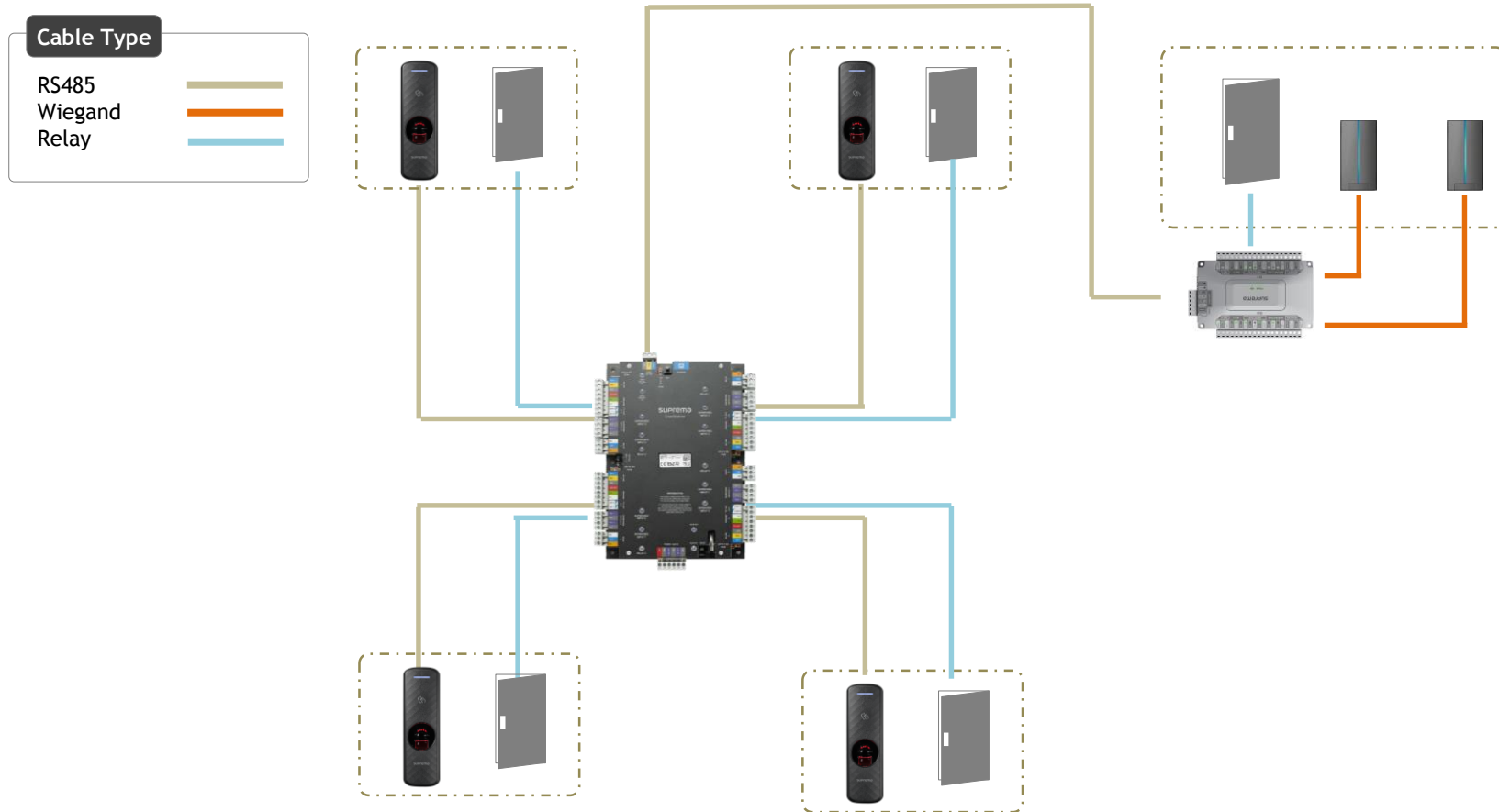
*Up to 32 slave devices supported per RS485 port



*When using RS485 daisy chain, reader power-out from CoreStation may not be strong enough. So it's recommended to use an additional power connection.

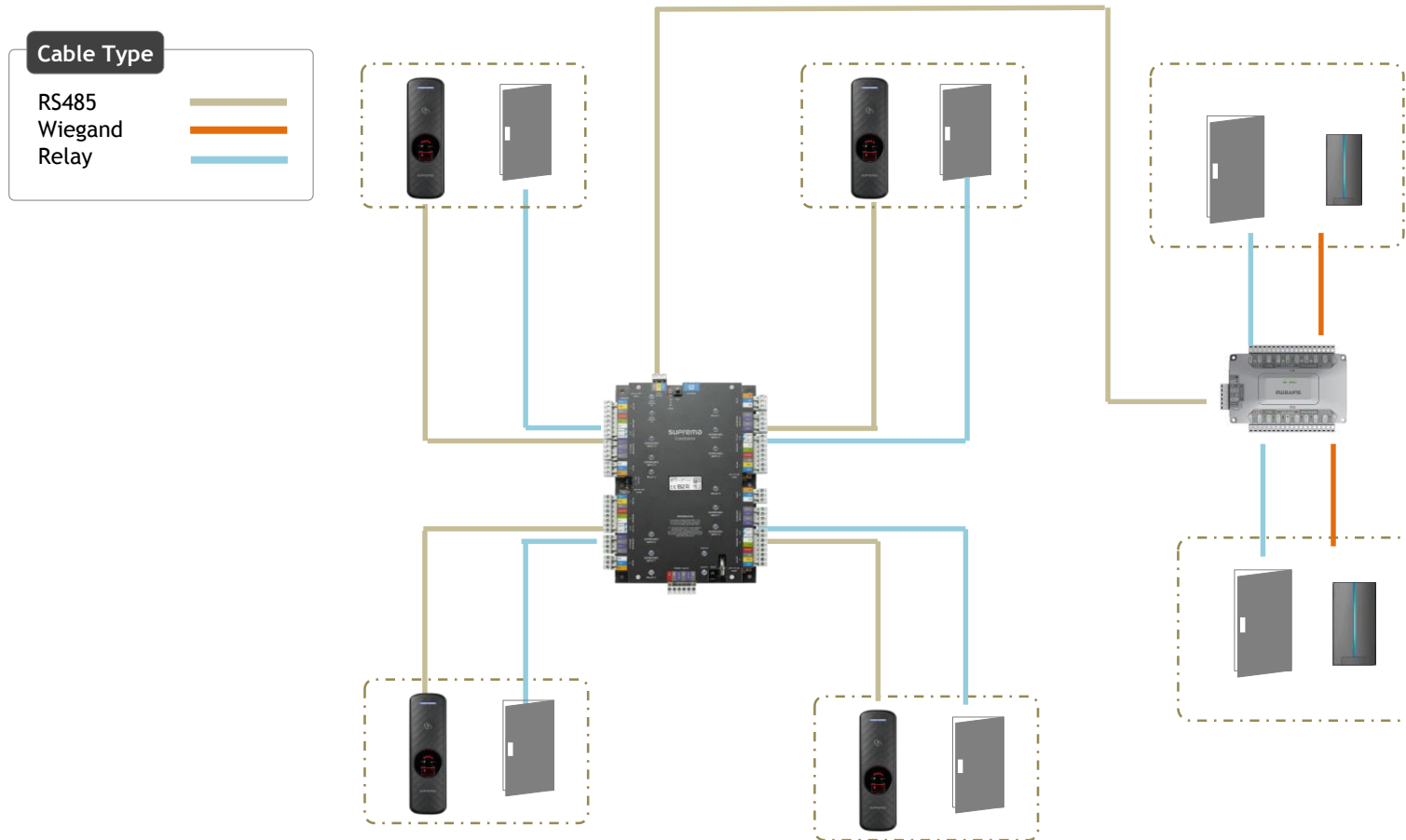
5 Door Configuration

CS + BER2 + DM-20 *Up-to 32 slave devices supported per RS485 port



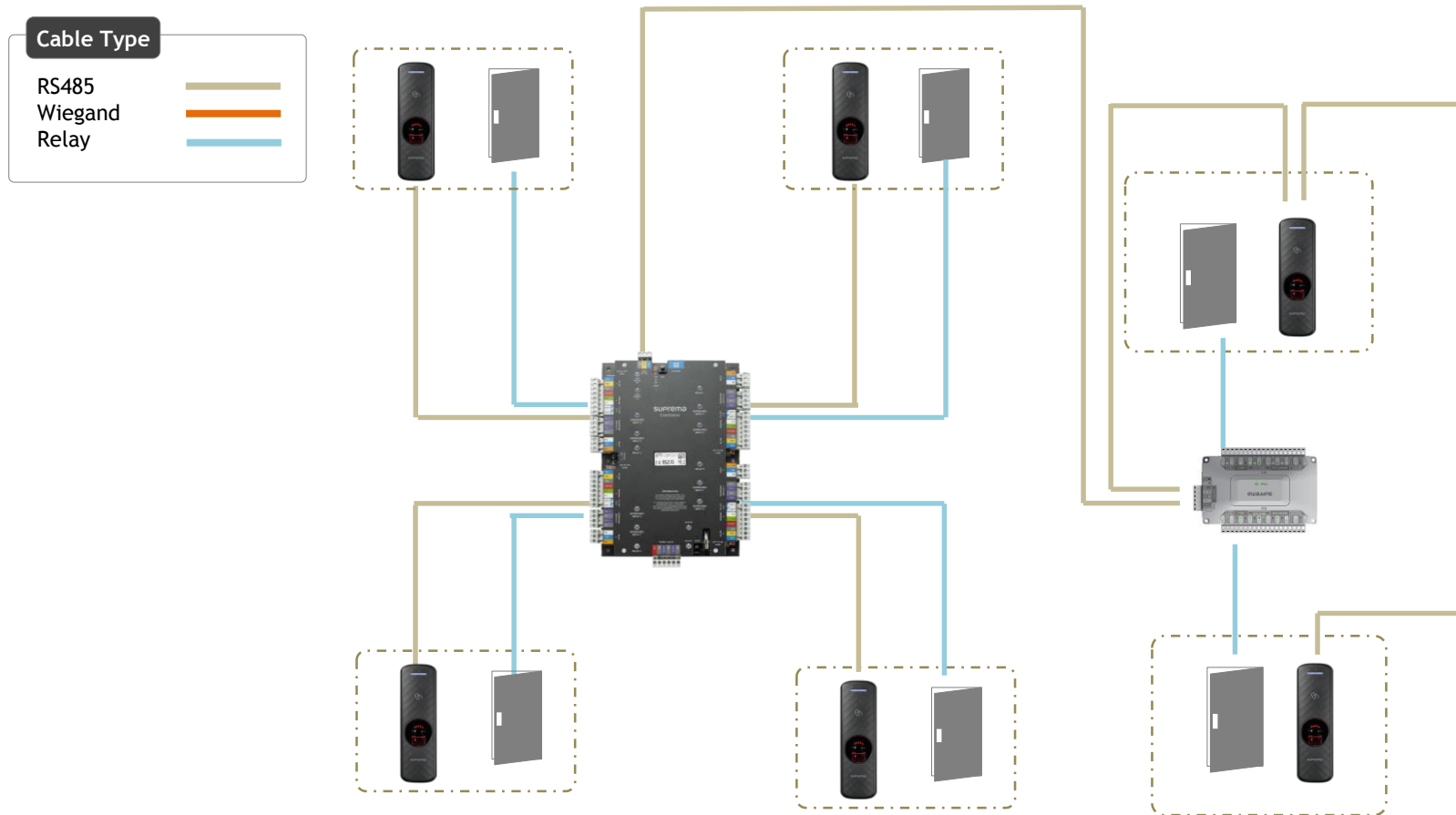
6 Door Configuration

CS + BER2 + DM-20 + 3rd party Wiegand Reader



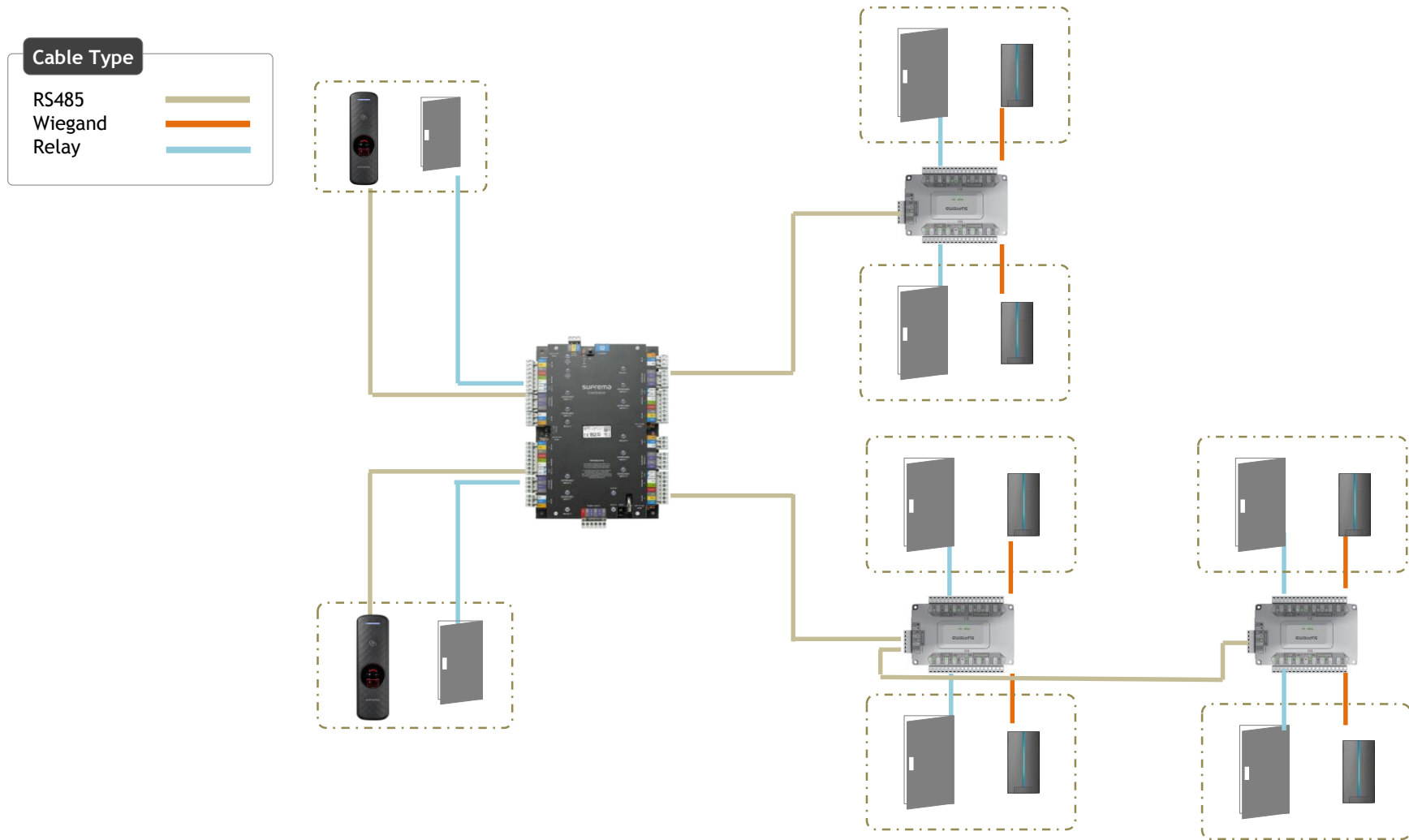
6 Door Configuration

CS + BER2 + DM-20 *DM-20 HW will be modified to support as the same reader interface method as CoreStation



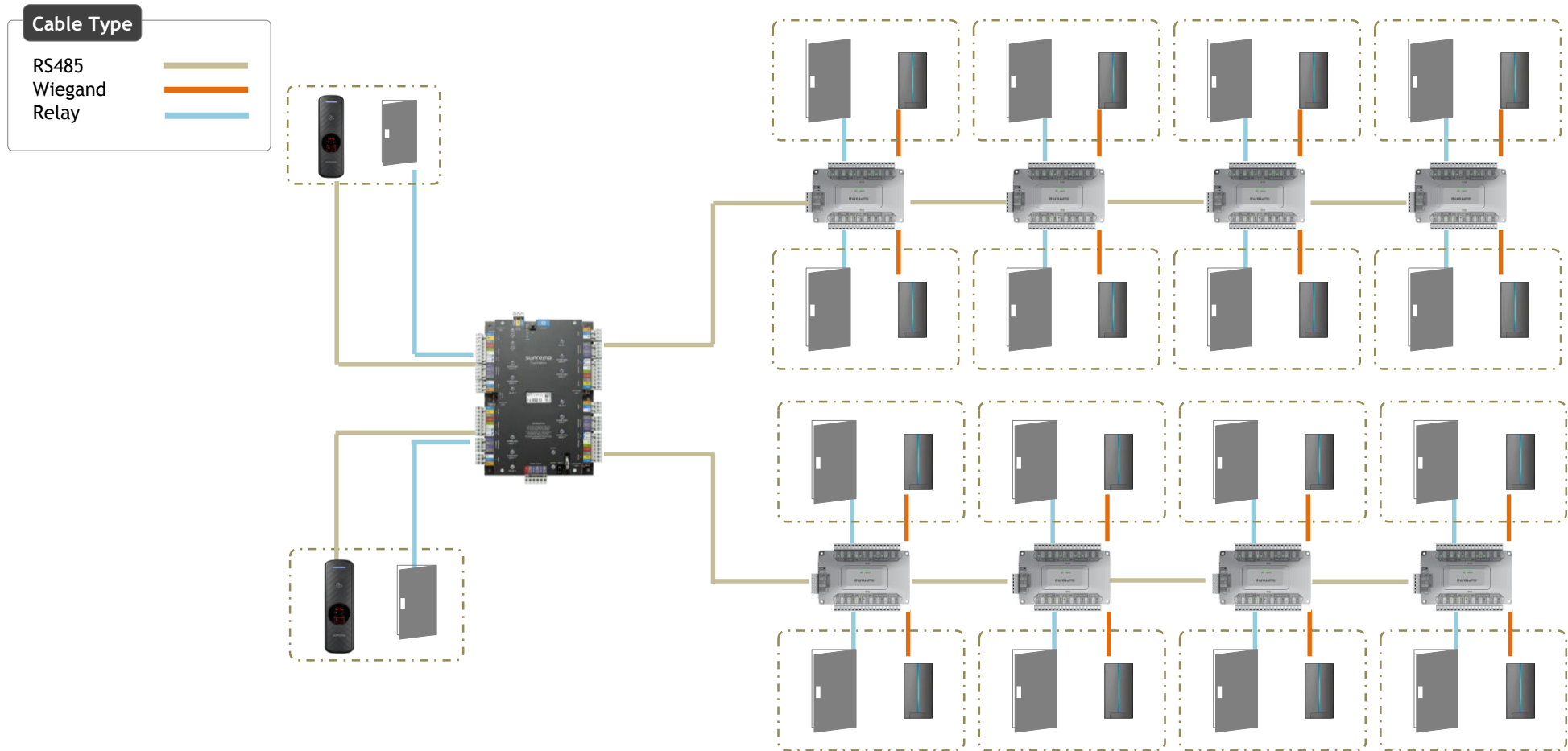
8 Door Configuration

CS + BER2 + DM-20 + 3rd party Wiegand Reader



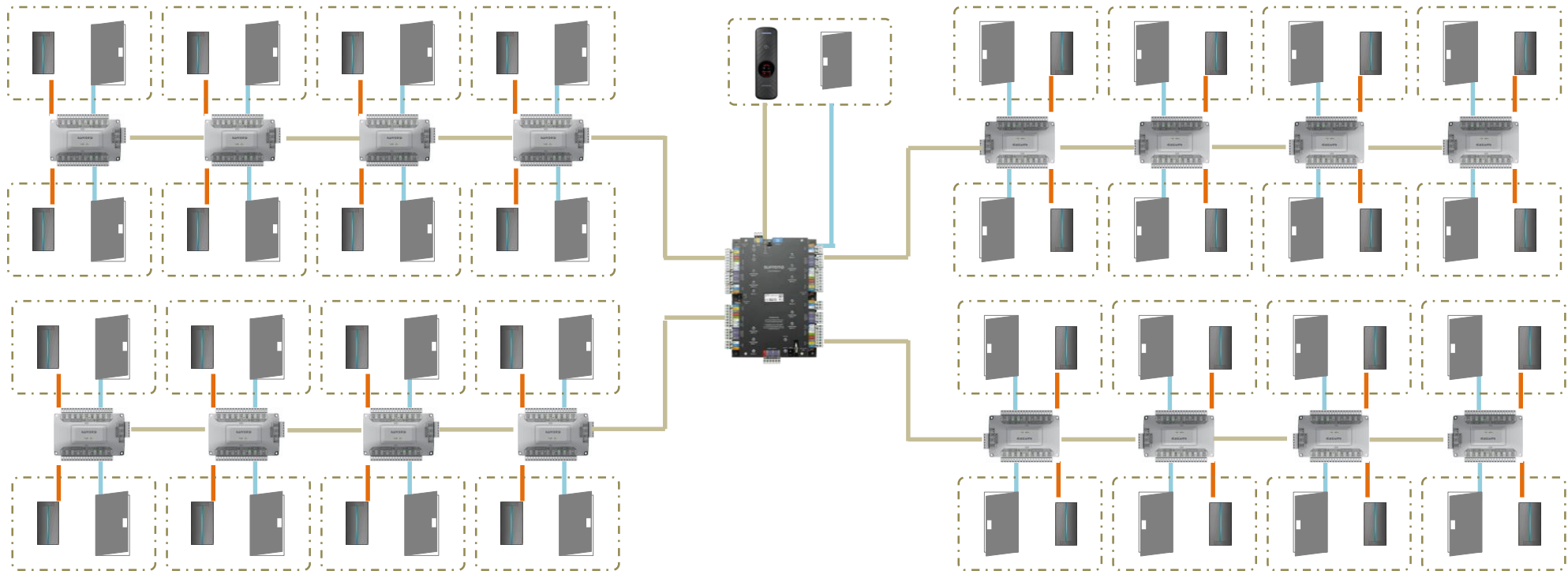
18 Door Configuration

CS + BER2 + DM-20 + 3rd party Wiegand Reader



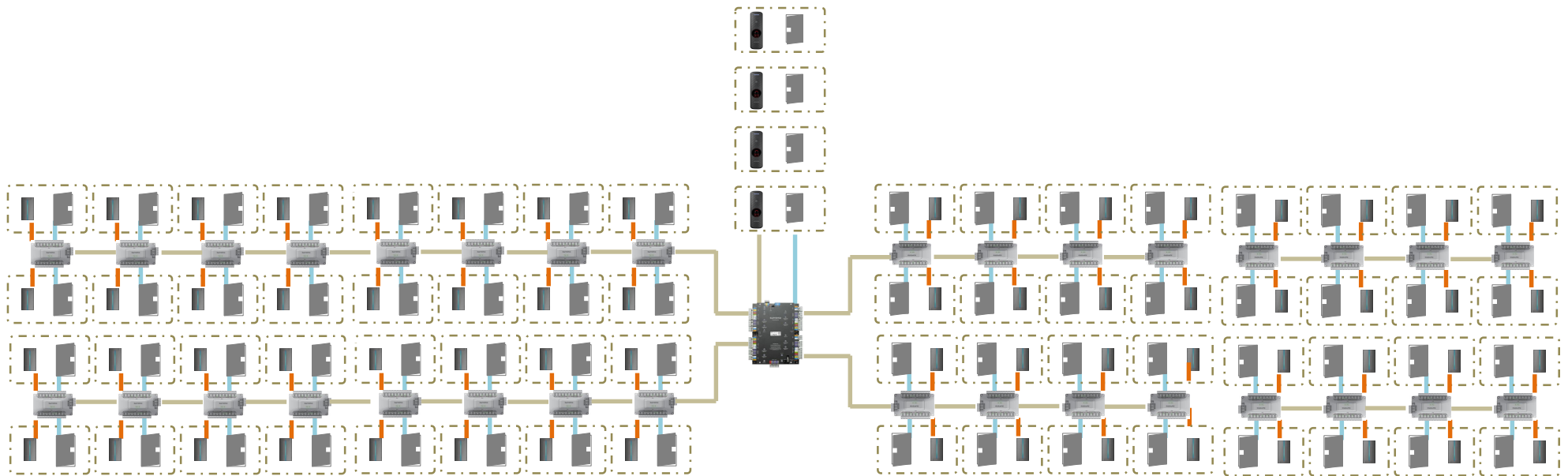
33 Door Configuration

CS + BER2 + DM-20 + 3rd party Wiegand Reader



68 Door Configuration

CS + BER2(daisy Chain) + DM-20 + 3rd party Wiegand Reader

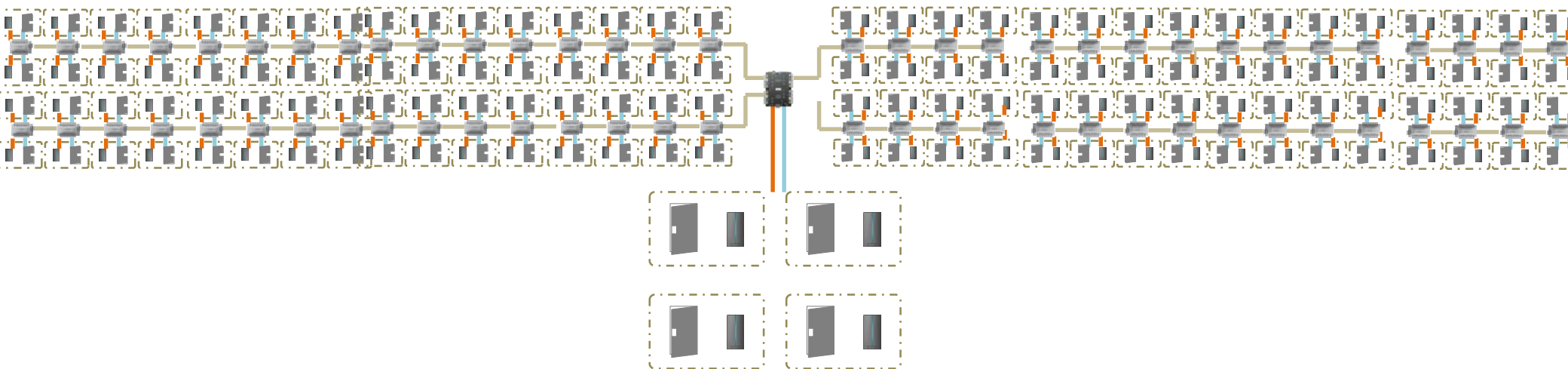


132 Door Configuration

CS + DM-20 + 3rd party Wiegand Reader

64 x Wiegand Reader with 16 x DM-20

64 x Wiegand Reader with 16 x DM-20



4 x
Wiegand Readers
with CoreStation on-board interfaces