

# Table of Contents

How to configure CoreStation .....	1
Configuring CoreStation .....	4
Sample Wiring Video .....	8

[System Configuration](#), [BioStar 2](#), [CoreStation](#), ["P2"](#), ["R2"](#)

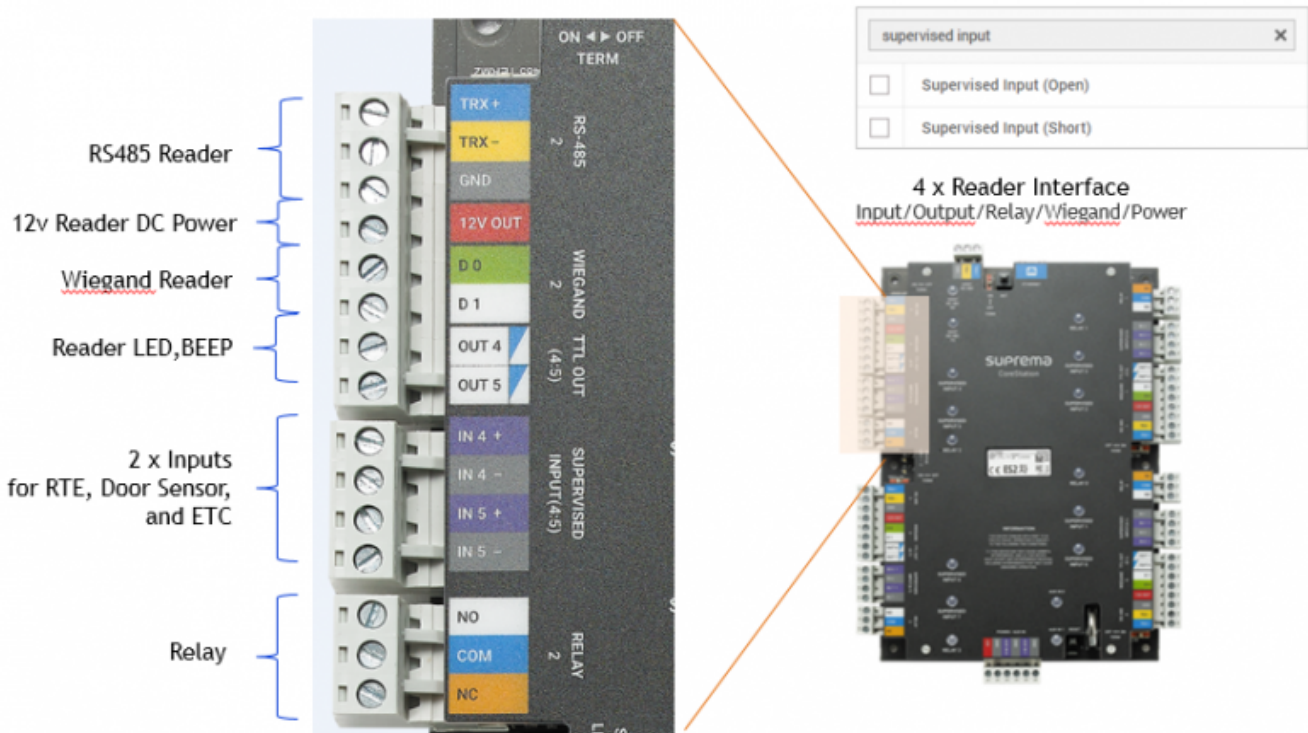
# How to configure CoreStation

Three new devices have been introduced with the release of BioStar 2.5:

CoreStation, Suprema's first controller for a centralized access system; P2, the next-generation model of BioEntry Plus; R2, the dummy reader designed to be used with CoreStation.



Since it is a centralized controller, CoreStation does not have a reading capability unlike other edge devices and its role is to control the slave and Wiegand devices that are connected to the device. It has 4 relays, 4 Wiegand inputs, and 5 RS485 channels where you can connect slave devices.



The device's input is a supervised input. This means that the device can sense if the input has tampered just like the DM-20.

A log distinguishing a normal input or shorted input will be recorded in the event log and a device action can be configured accordingly as well.

The device has a staggering matching performance, 400,000 matches per second.

This means you can have 8 devices sending biometric information at the same time and still have a match result in a second.

The device can store up to 500,000 users and 1 million fingerprints for 1:1 matching.

The benefit of having a centralized controller is that your dummy readers, which are on the door, do not store any user information.

Additionally, if your site had RS485 wiring with no ethernet you can reuse the wiring as is.

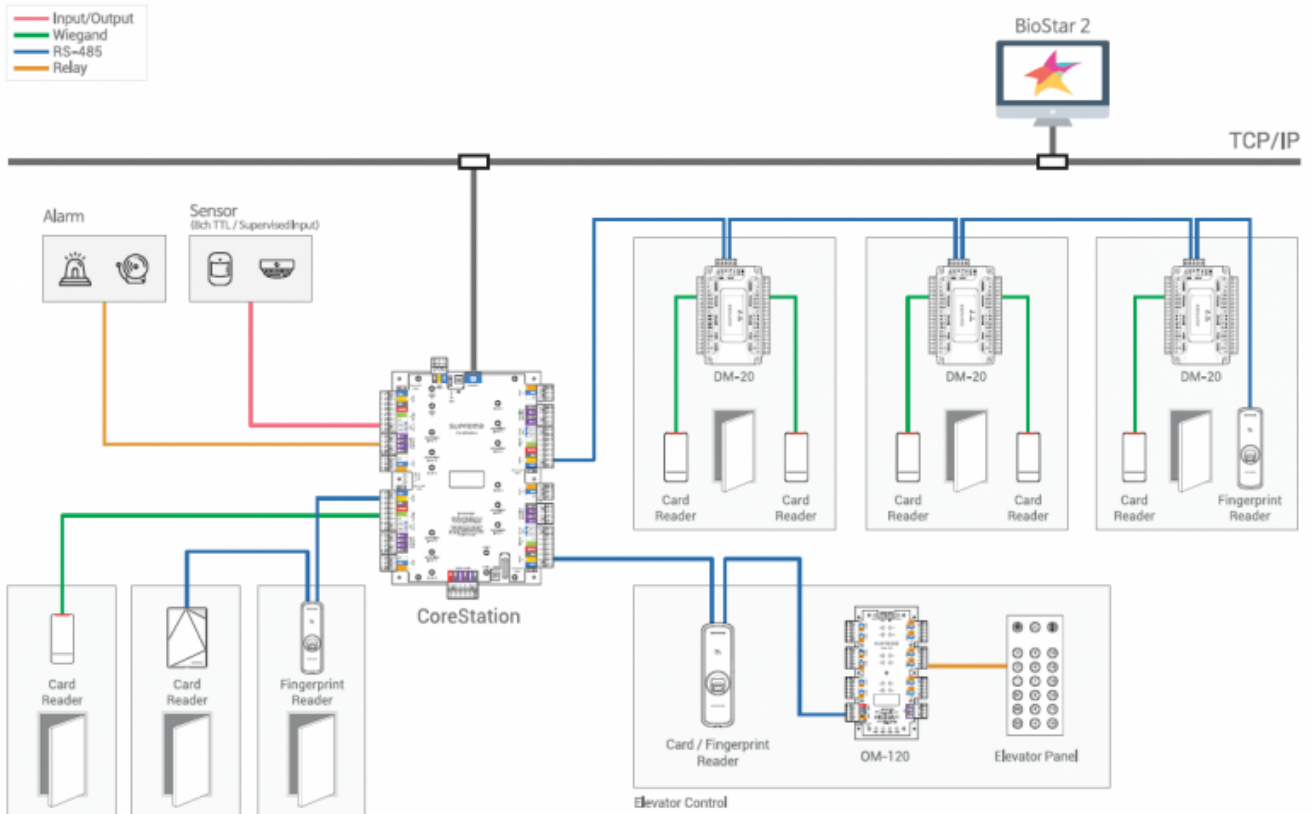
By creating a daisy chain of 64 DM-20 with 2 Wiegand readers per device and 4 Wiegand readers on CoreStation's interface, you can control up to 132 doors with a single CoreStation.

FaceStation 2 and FaceLite are also Slave devices that can be used like CoreStation. However, for face registration, FaceStation 2 or FaceLite must be configured separately for registration purposes.

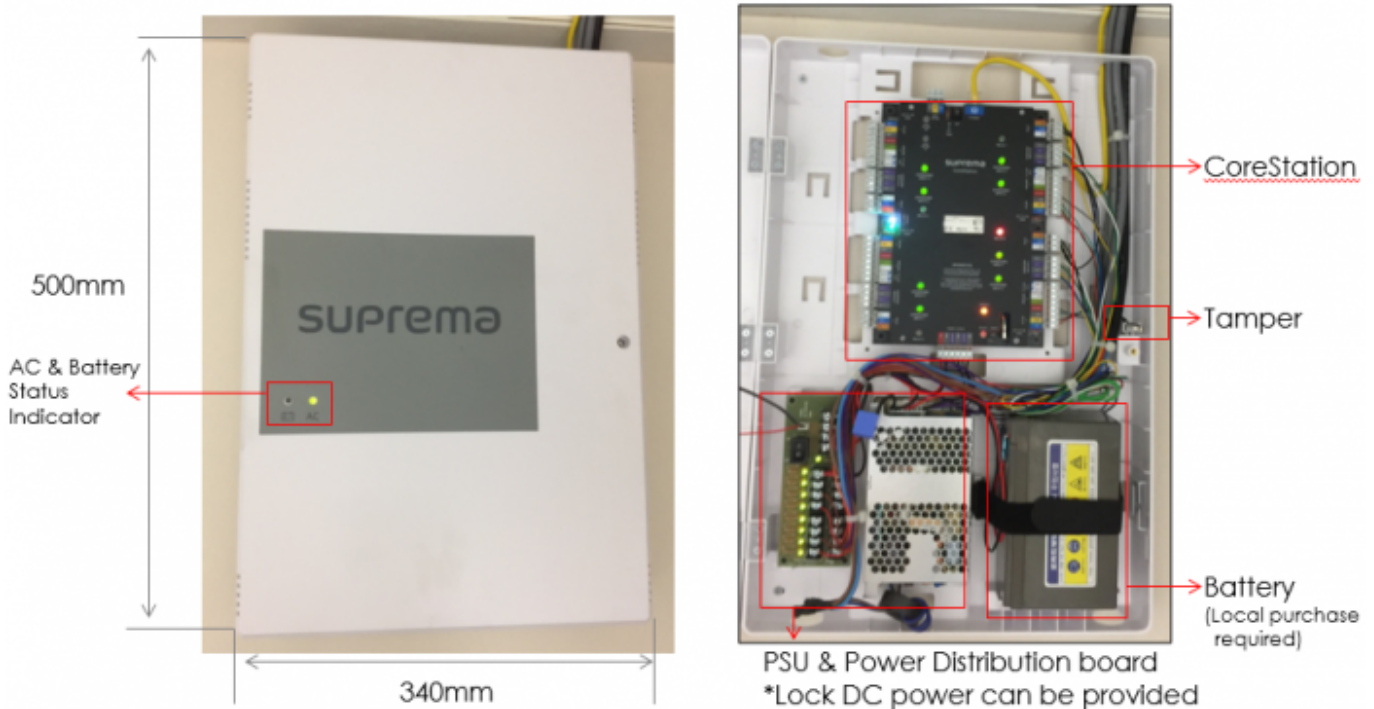
- Details: [\[CoreStation\] How to use Face Recognition Terminal \(FaceStation 2, FaceLite\) with CoreStation](#)

FaceStation F2 cannot be used as a Slave device for CoreStation.

### System Configurations



It can control multiple DM-20s with a daisy chain and also control multiple biometric device and card readers at once. The slave devices will be connected by a RS-485 connection and the 3rd party RF readers will be connected via Wiegand wiring. The CoreStation itself will have to be wired with an ethernet to be connected to the BioStar 2 server.



CoreStation also comes with an optional enclosure which includes power supply unit and the power distribution board.

You will have to purchase the battery locally at your country according to the specification guideline. The battery will keep the CoreStation operational for around 30 minutes in idle status if the power goes out.

This time will differ based on the number of devices that are connected and how much the slave devices are used during this time.

The enclosure has a tamper switch that sends a tamper event every time the enclosure is opened. An event log will be created when the CoreStation loses power as well.

If you are curious about what combinations you could use to install an access control system with CoreStation, refer to the following PDF file:

[CoreStation Configuration Options](#)



[R2 / P2]

The R2 and P2 devices are 2 additional devices that are introduced with BioStar 2.5. Both have the same exterior look. However, the R2 devices only have a power and RS-485 connection because their purpose is to scan the card/fingerprint and send it to the master device.

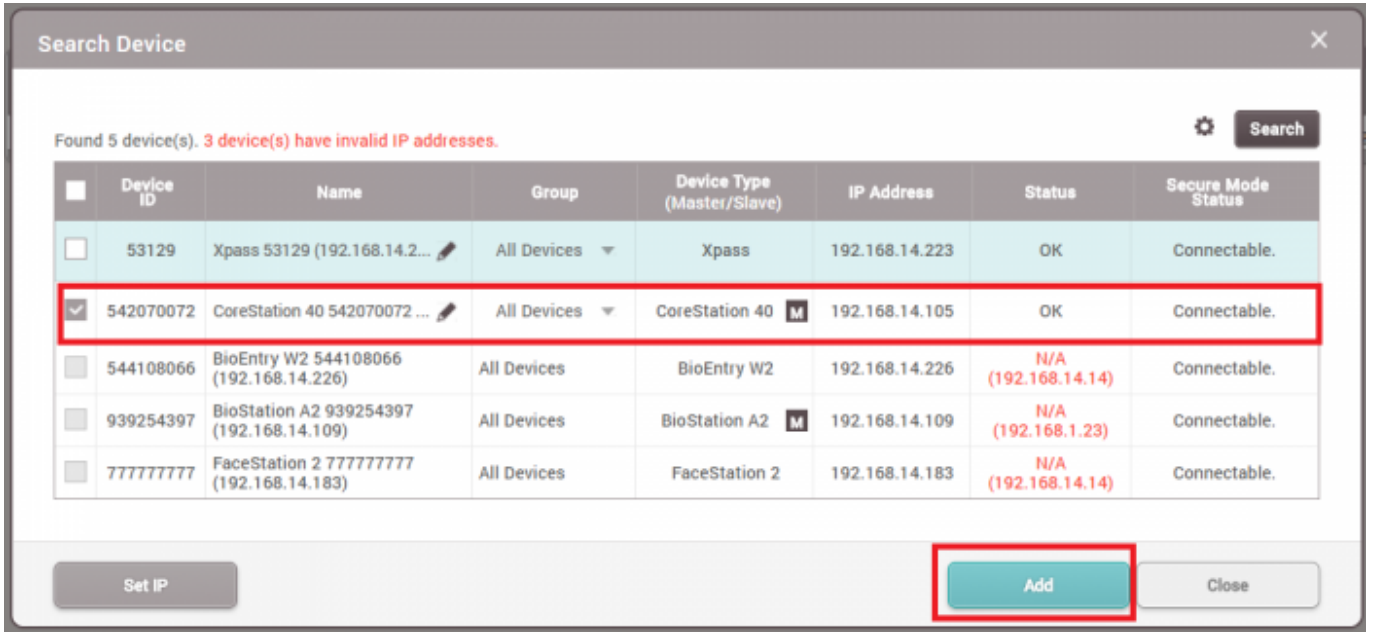
For detailed device specifications, refer to the [A&E specification page](#) or our homepage products page.

## Configuring CoreStation

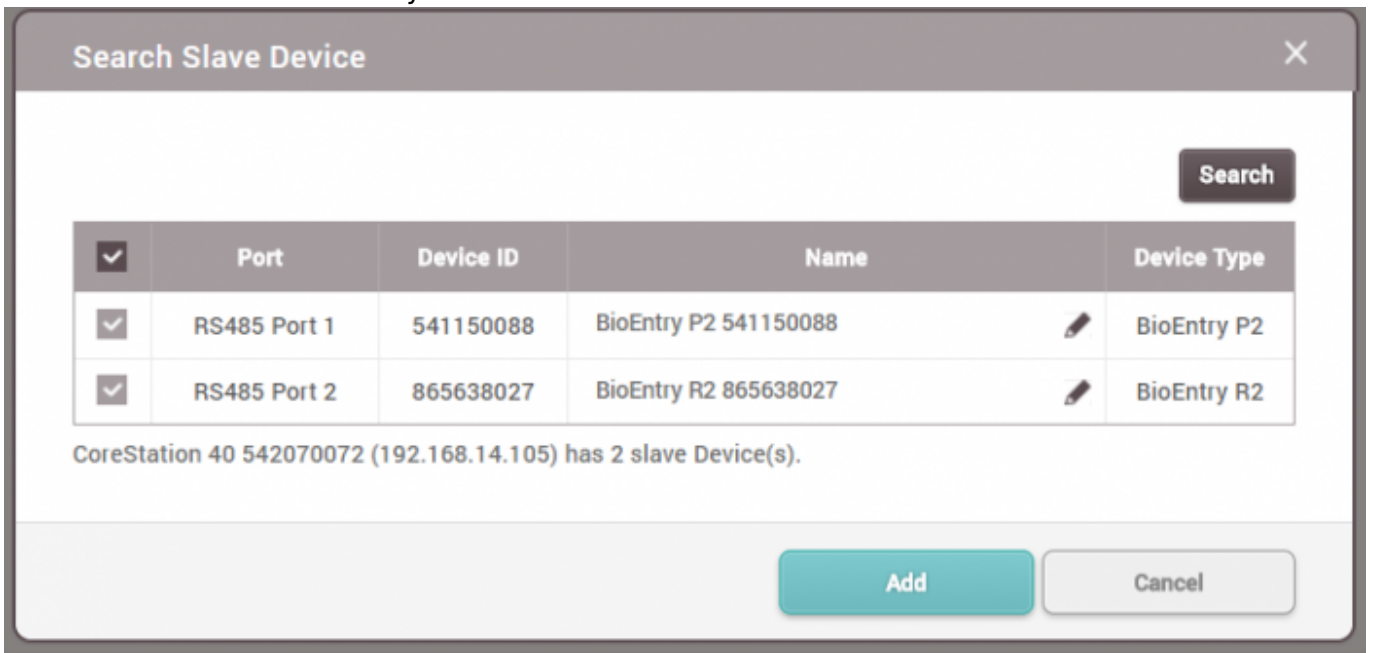
CoreStation should be wired with Ethernet to connect to the server and the slave devices should be wired with RS485.

1. Log in to BioStar 2.

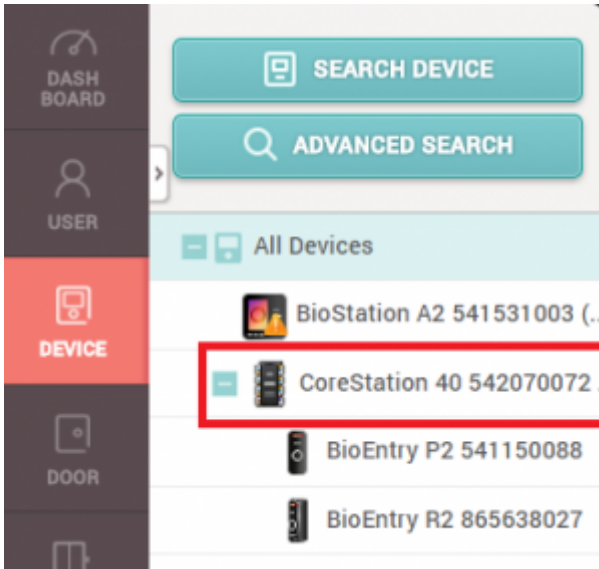
- 2. Click **Device**.
- 3. Click **Search Device**.
- 4. Select CoreStation and click **Add**.



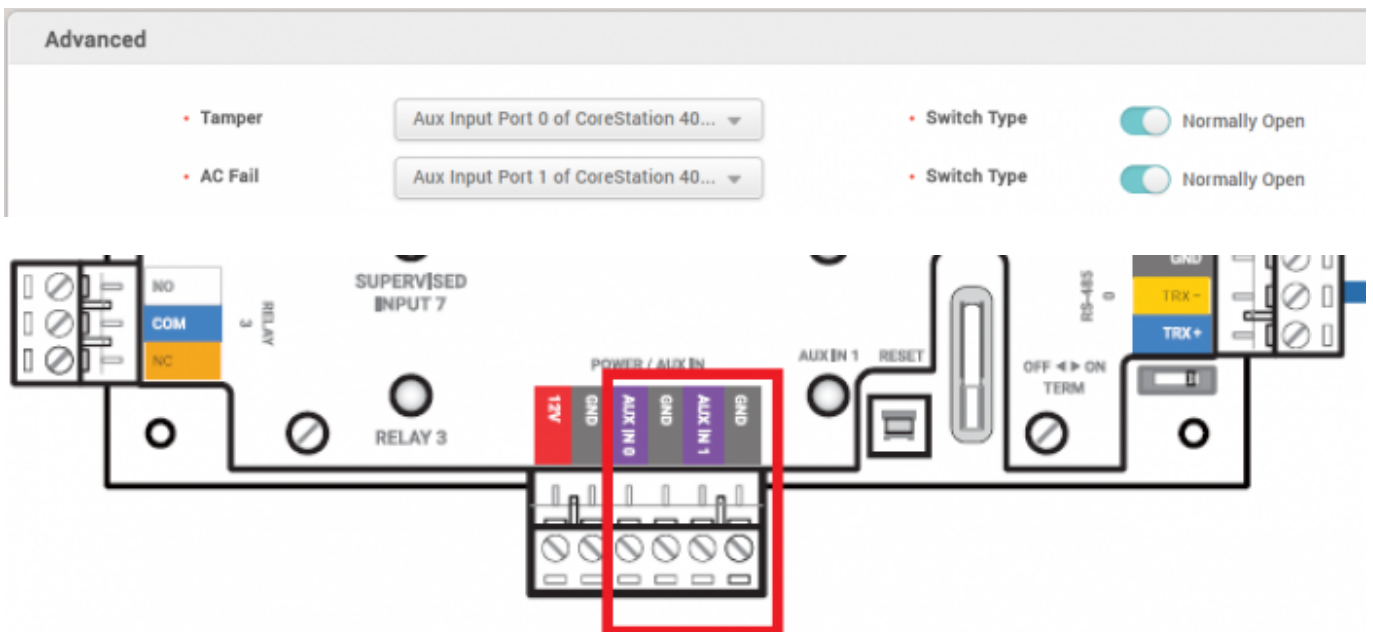
- 5. Right click on CoreStation and click **Search Slave Device**.
- 6. Click **Search** and then Add your slave devices.

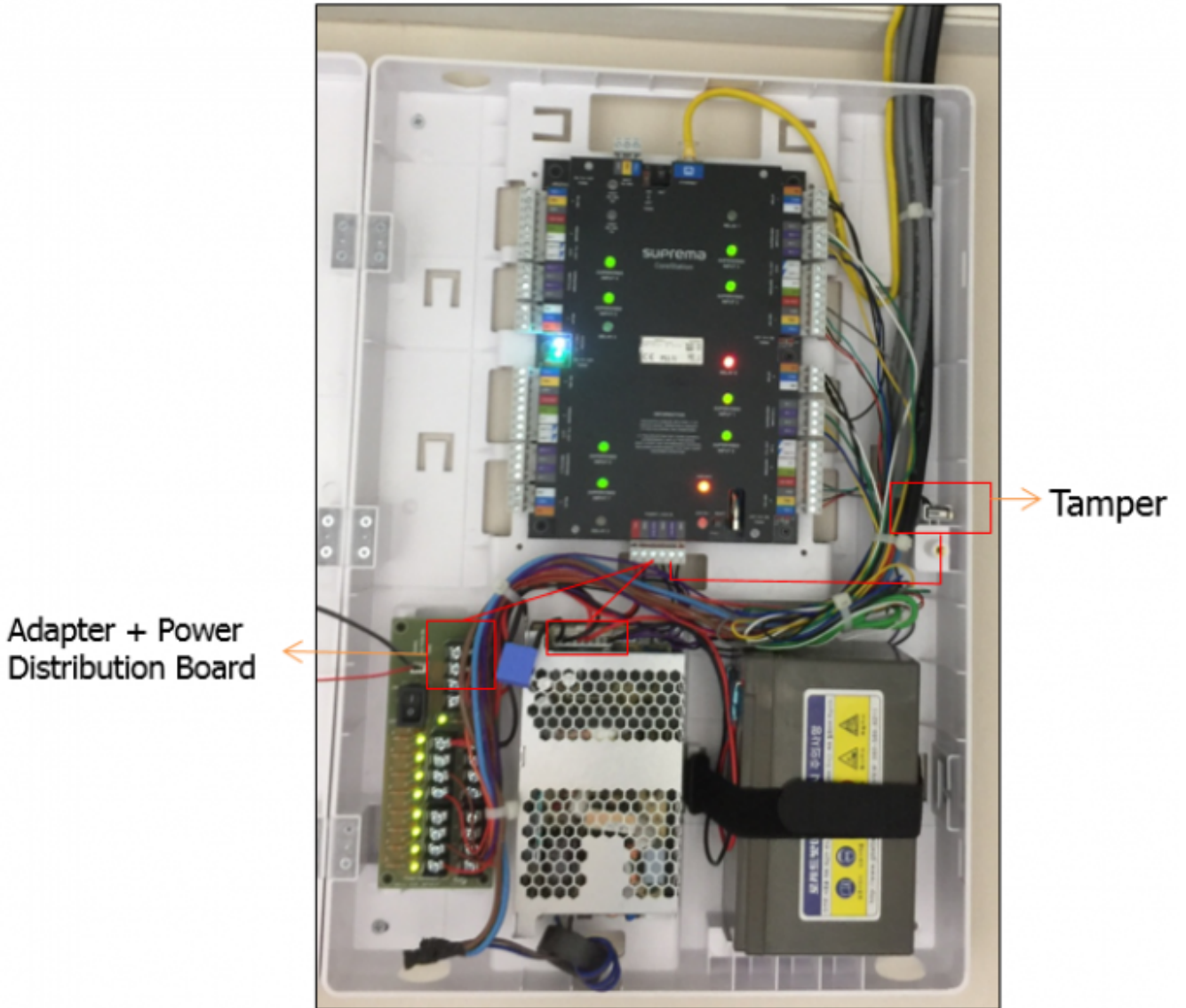


- 7. Click on CoreStation.



8. On **Advanced** configure your **Tamper** and **AC Fail** based on your wiring on the Aux Input to receive tamper and power failure logs.





9. If you're using a supervised input, configure the resistor value as necessary on **Supervised Input**.

**Supervised Input**

- Configuration

Index	Supervised	Supervised Input Resistor
0	<input checked="" type="checkbox"/> Supervised Input	2.2k $\Omega$
1	<input checked="" type="checkbox"/> Supervised Input	2.2k $\Omega$
2	<input checked="" type="checkbox"/> Supervised Input	2.2k $\Omega$
3	<input checked="" type="checkbox"/> Supervised Input	2.2k $\Omega$
4	<input checked="" type="checkbox"/> Supervised Input	2.2k $\Omega$
5	<input checked="" type="checkbox"/> Supervised Input	2.2k $\Omega$
6	<input checked="" type="checkbox"/> Supervised Input	2.2k $\Omega$
7	<input checked="" type="checkbox"/> Supervised Input	2.2k $\Omega$



For a detailed wiring guideline, refer to the device manual and the guide on the enclosure.

Refer to the link below to understand the concept of Supervised Input: [DM-20 Wiring Examples](#)

## Sample Wiring Video

[2x\\_sysconfig\\_corestation\\_video.mp4](#)

From:

<http://kb.supremainc.com/knowledge/> -

Permanent link:

[http://kb.supremainc.com/knowledge./doku.php?id=en:how\\_to\\_configure\\_corestation&rev=1640755596](http://kb.supremainc.com/knowledge./doku.php?id=en:how_to_configure_corestation&rev=1640755596)

Last update: **2021/12/29 14:26**