

CoreStation	1
CoreStation	4
	8

, BioStar 2, CoreStation, "P2", "R2"

CoreStation

BioStar 2.5

3

BioEntry P2, CoreStation

CoreStation BioEntry Plus
BioEntry R2가



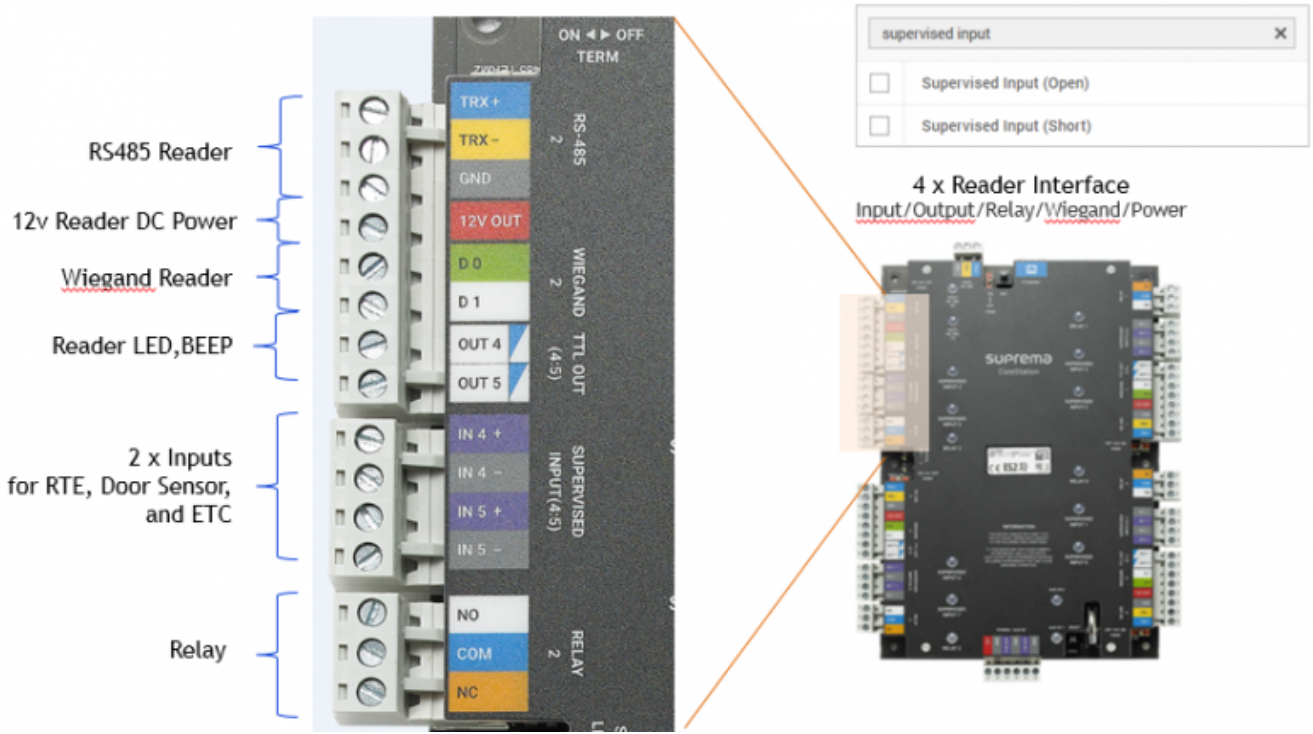
CoreStation

CoreStation 4
485 가

Wiegand

, 4 Wiegand ,

5 RS-



DM-20 Supervised input ,

가 ,

400,000 가 .

, 1 가 1:1

500,000 1,000,000

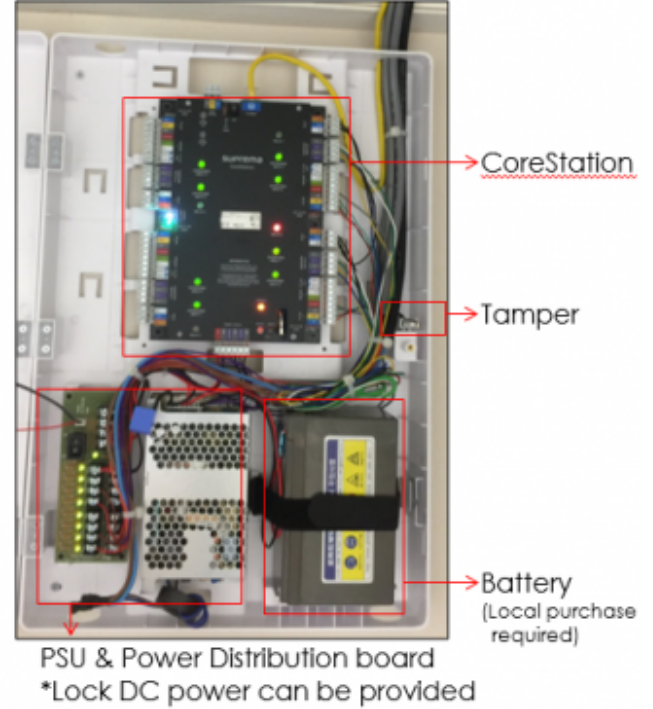
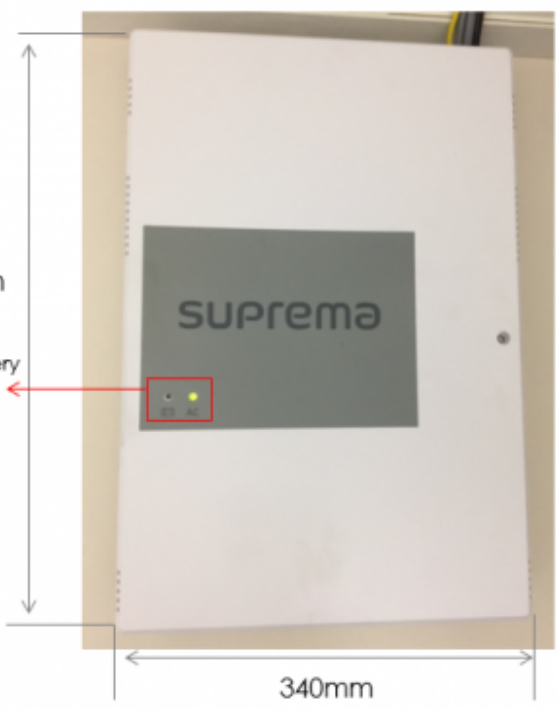
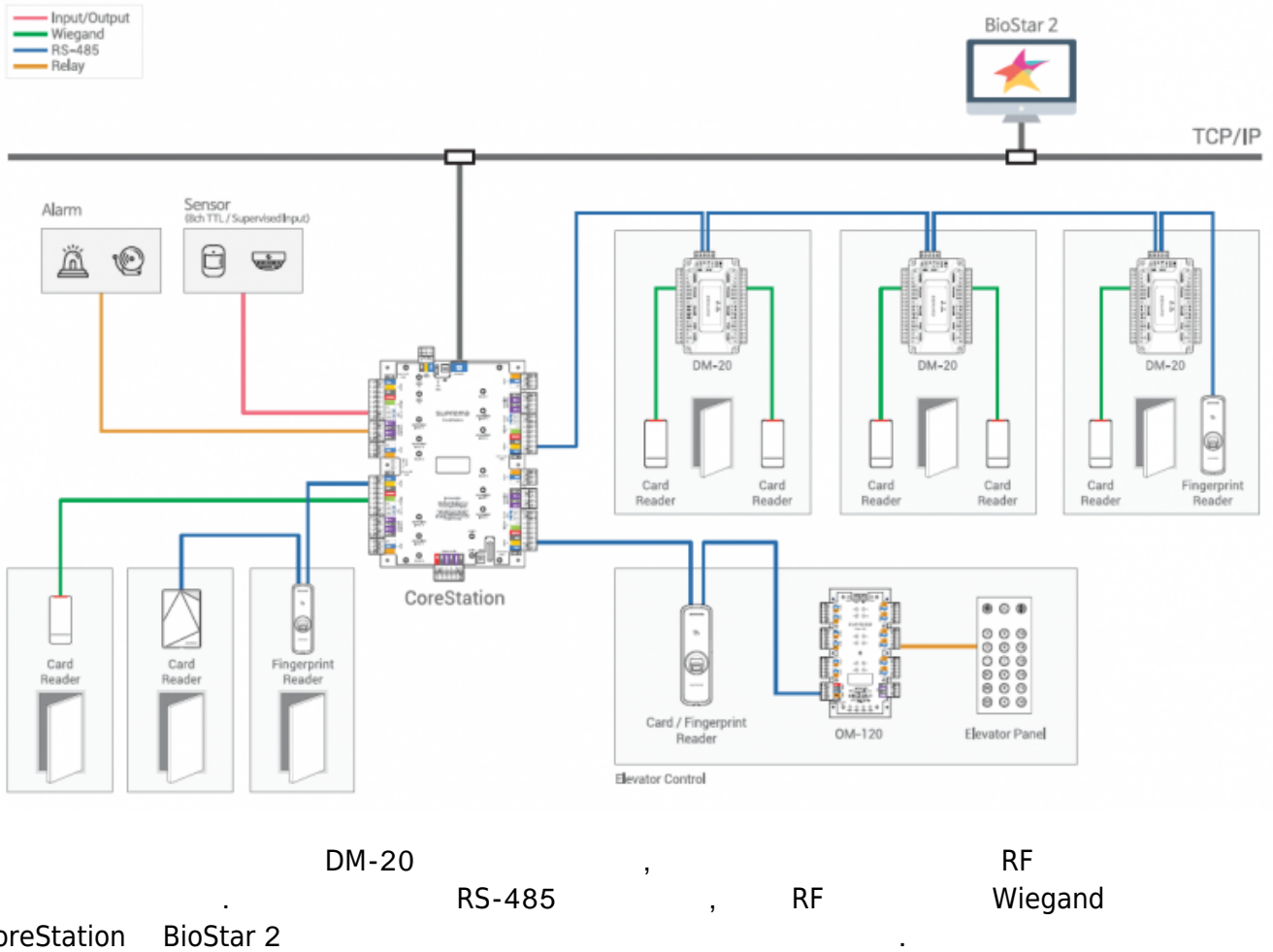
가

RS-485 ,

4 Wiegand 가 32 DM-20 , CoreStation Wiegand CoreStation 132

FaceStation 2

System Configurations



CoreStation

(ENCR-10,)

CoreStation	가	,	가
	30	.	

CoreStation	가	가	.
CoreStation			PDF

CoreStation Configuration Options



[BioEntry R2 / BioEntry P2]

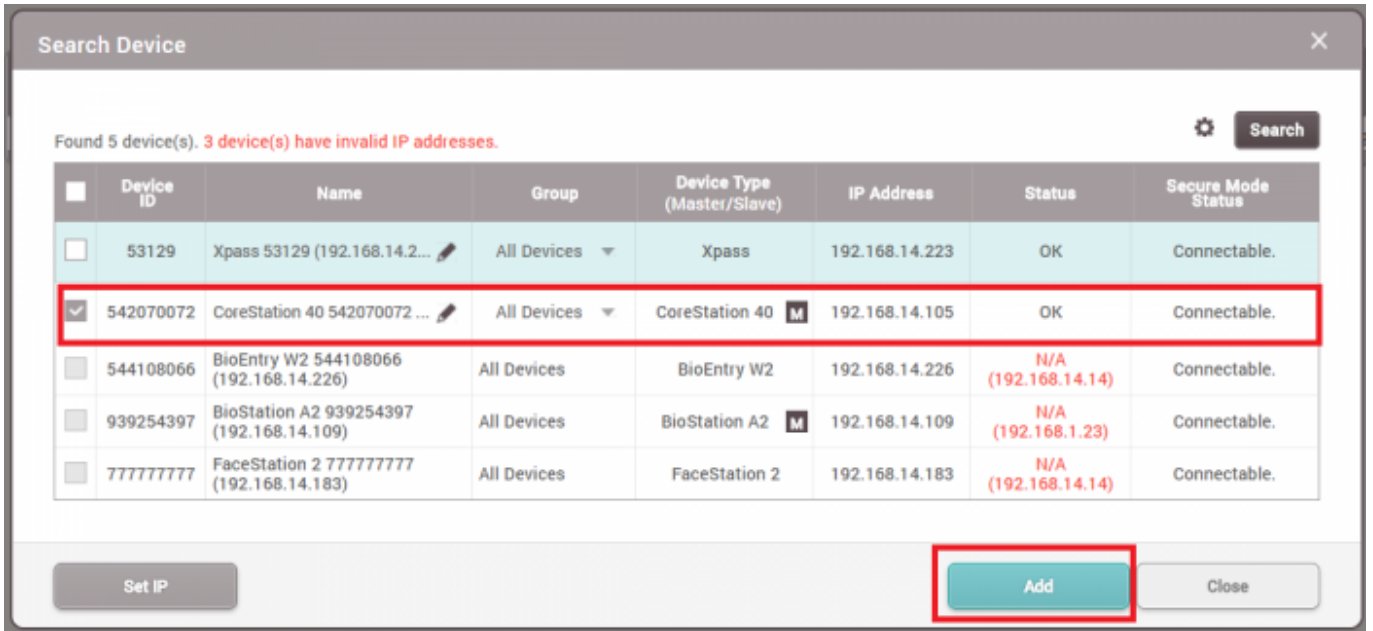
BioEntry R2	BioEntry P2	BioStar 2.5	.	가
	R2		,	
	RS-485		.	

[A&E specification page](#)

CoreStation

CoreStation	,	RS-485	.
-------------	---	--------	---

1. BioStar 2
2. **(DEVICE)**
3. **(Search Device)**
4. CoreStation 가**(Add)**

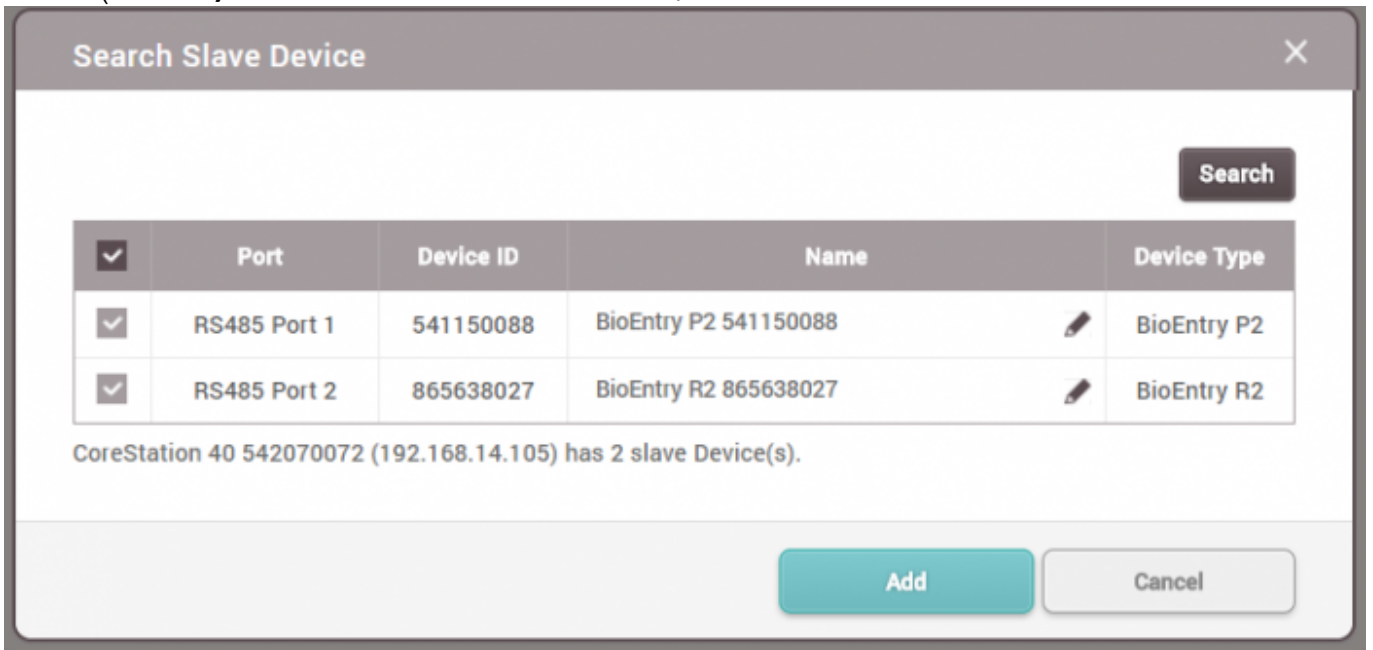


5. CoreStation

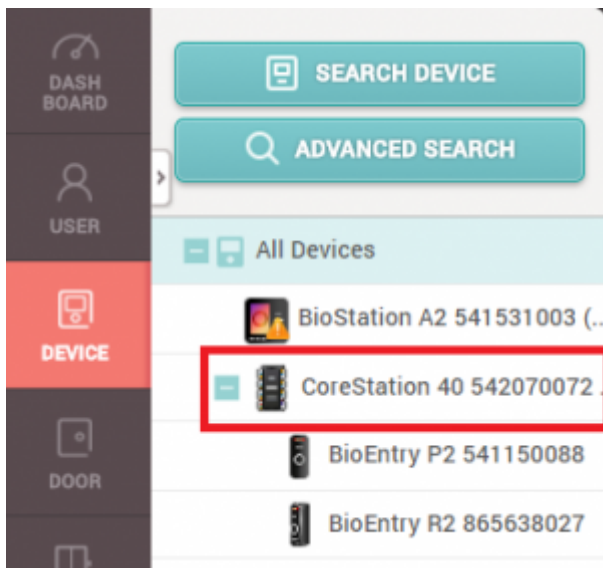
(Search Slave Device)

6. (Search)

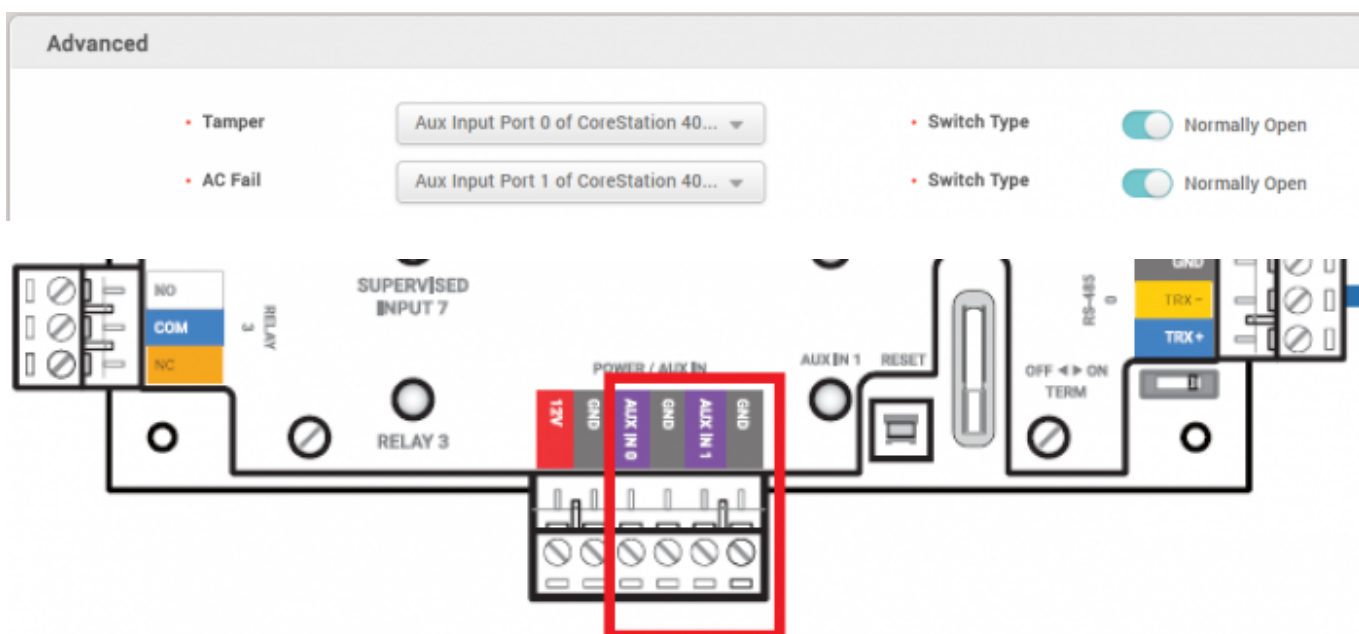
가

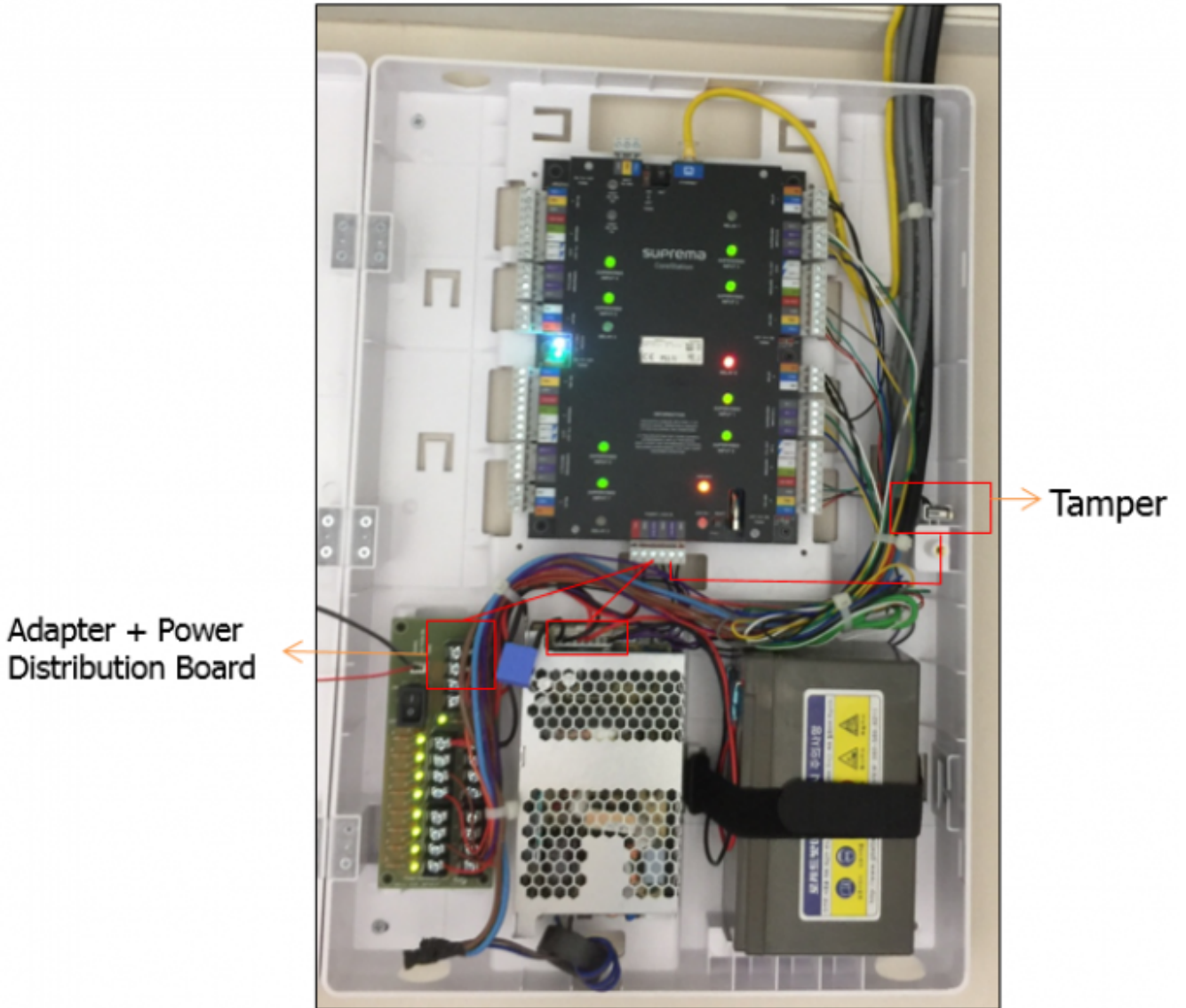


7. CoreStation



8. CoreStation Aux (Tamper) AC (AC Fail) (Advanced)





9. Supervised input

, **Supervised Input**

..

Supervised Input

- Configuration

Index	Supervised	Supervised Input Resistor
0	<input checked="" type="checkbox"/> Supervised Input	2.2k Ω
1	<input checked="" type="checkbox"/> Supervised Input	2.2k Ω
2	<input checked="" type="checkbox"/> Supervised Input	2.2k Ω
3	<input checked="" type="checkbox"/> Supervised Input	2.2k Ω
4	<input checked="" type="checkbox"/> Supervised Input	2.2k Ω
5	<input checked="" type="checkbox"/> Supervised Input	2.2k Ω
6	<input checked="" type="checkbox"/> Supervised Input	2.2k Ω
7	<input checked="" type="checkbox"/> Supervised Input	2.2k Ω

Supervised input

. DM-20

[2x_sysconfig_corestation_video.mp4](#)

From:

<https://kb.supremainc.com/knowledge/> -

Permanent link:

https://kb.supremainc.com/knowledge/doku.php?id=ko:how_to_configure_corestation&rev=1531277641

Last update: **2018/07/11 11:54**