

Wiegand	.....	1
	.....	3

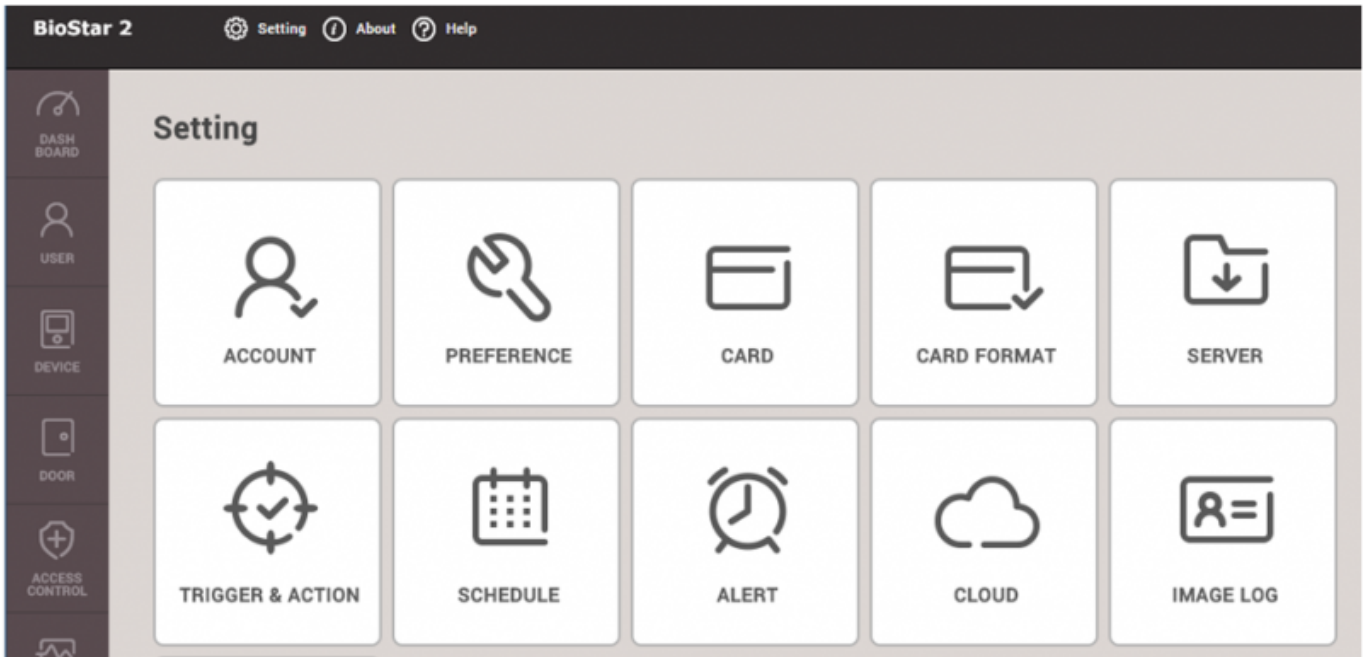
, BioStar 2, Wiegand

# Wiegand

BioStar 2

Wiegand

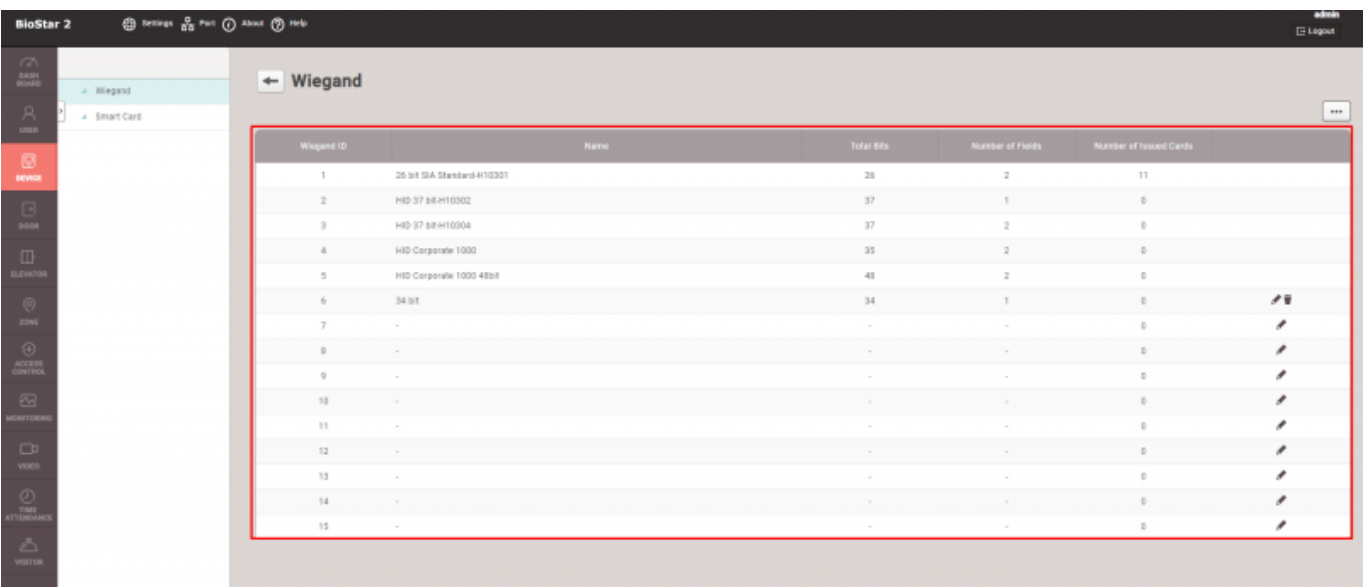
1. >



2. Wiegand

Wiegand

가



3. Wiegand

, ID

34 bits

Information

- Name: 34 bits
- Description:
- Total Bits: 34

ID Field	Start Bit	End Bit	Size
IDD	1	32	32

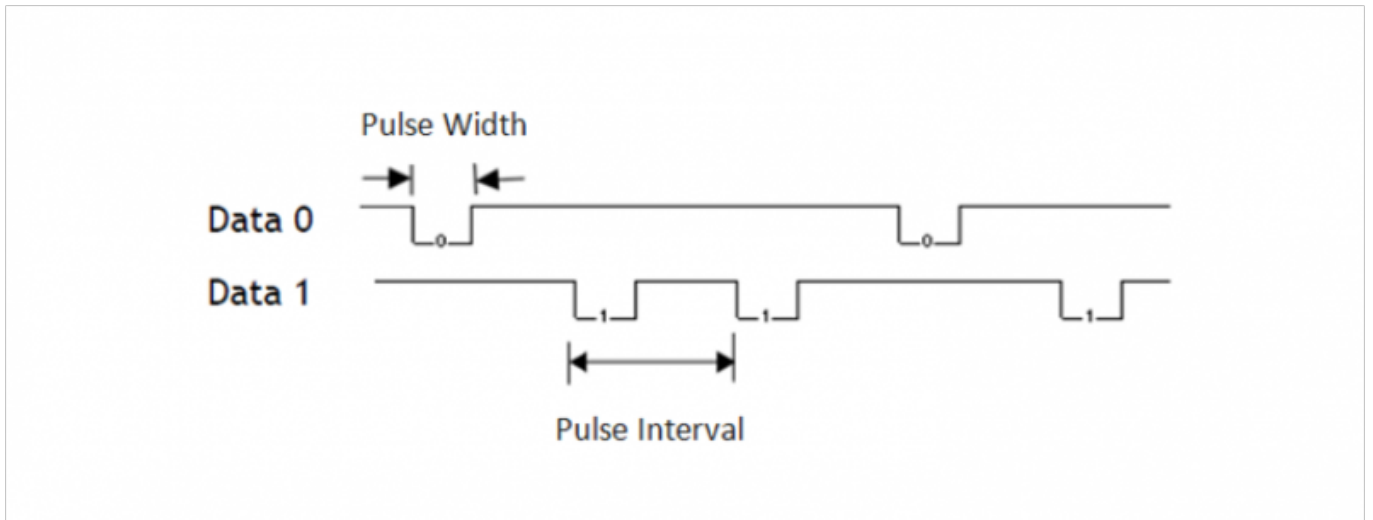
Parity Bits	Position	Type	Start Bit	End Bit	Size
	0	Even	0	16	17
	33	Odd	17	33	17

4.

Wiegand

- In/Out: Out
- Pulse Width(µs): 40
- Enable Fail Code:
- Bypass Mode: Disable
- Format: 25 Bit SIA Standard-H10301
- Pulse Interval(µs): 10000
- Fail Code: 0x00

5.



6.

- :
  - : 가
- 가 Wiegand

7.



8. 가 ID Wiegand

Alarm Description	Time/Date	Controller	Device	Input/Output	Card
Granted Access	오후 4:01 2015-11-20	Test Panel	Test Reader Port 1	None	Lee Tim (7040)
Granted Access	오후 4:01 2015-11-20	Test Panel	Test Reader Port 1	None	Lee Tim (7040)
Open Door Command Issued - Door Used	오후 3:58 2015-11-20	Test Panel	Test Reader Port 1	None	

(Lenel Onguard)

wiegand\_out.mp4

From: <https://kb.supremainc.com/knowledge/> -

Permanent link: [https://kb.supremainc.com/knowledge/doku.php?id=ko:how\\_to\\_configure\\_wiegand\\_output](https://kb.supremainc.com/knowledge/doku.php?id=ko:how_to_configure_wiegand_output)

Last update: **2017/01/10 17:33**